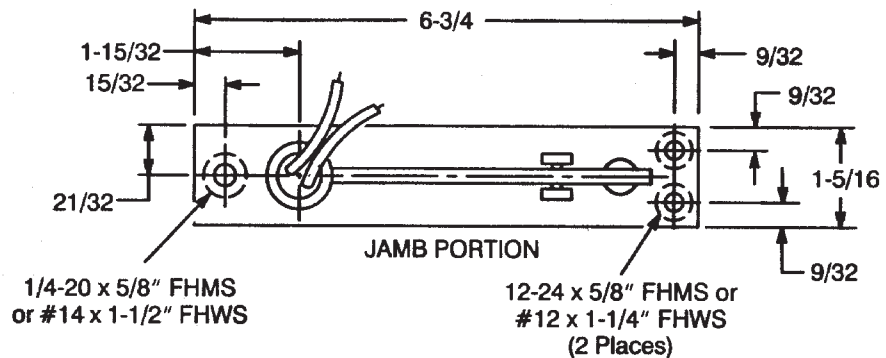
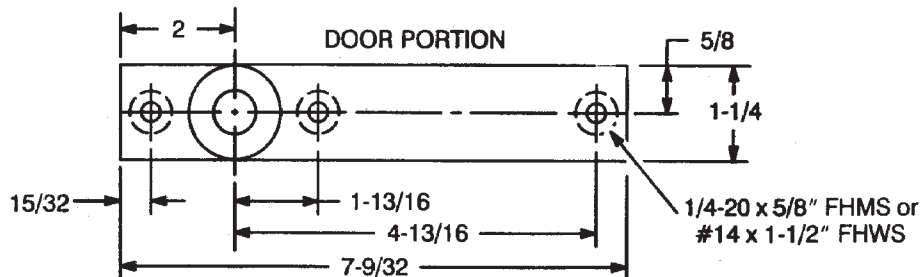
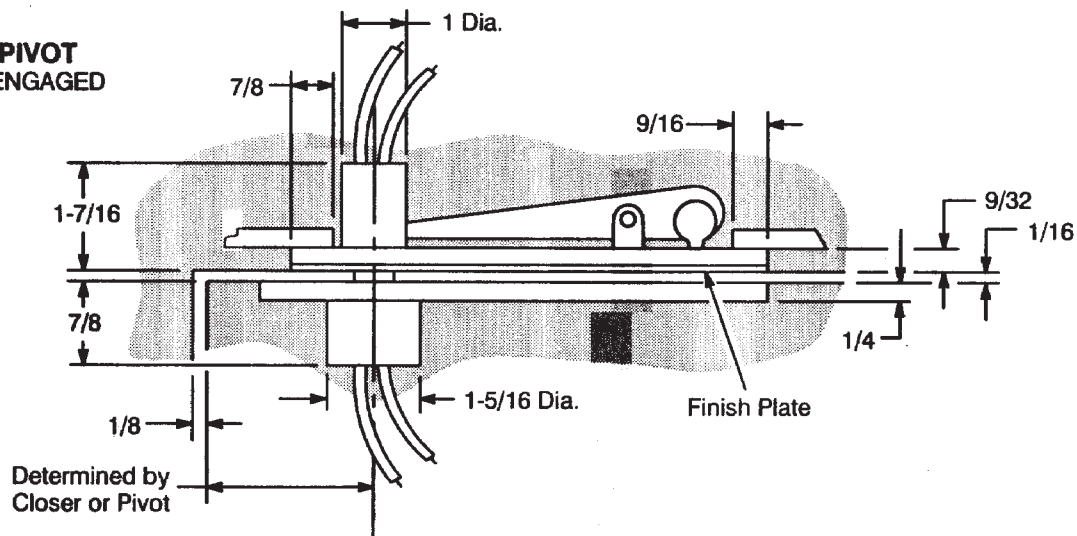


**Notes:**

1. Do not scale drawing.
2. All dimensions are in inches. Conversion to metric = inch x 25.4.
3. Electrical Ratings: Two types of wiring are offered:
  - Specify EH340-2 for two-wire #18 AWG circuits, rated 3 amps continuous. Low voltage only.
  - Specify EH340-4 for four-wire #24 AWG circuits, rated 2 amps continuous. Low voltage only.



**EH340 TOP PIVOT  
PIVOT SHOWN ENGAGED**



**EH340 Top Pivot  
Center Hung With Concealed Wires**

**RIXSON®**

**ASSA ABLOY**

www.rixson.com

TEMPLATE NUMBER

DATE

**TP40230**

**07-09**