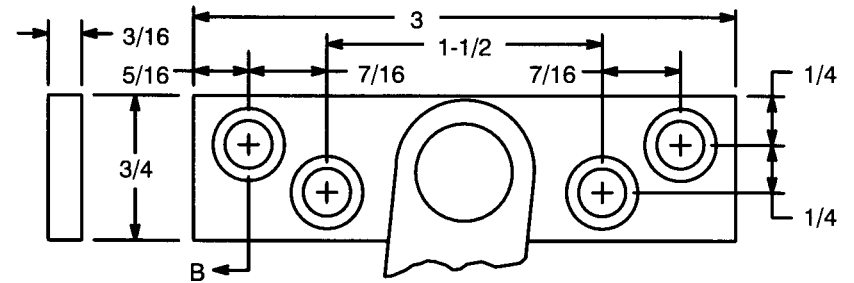


INSTALLATION INSTRUCTIONS

1. Select proper dimensions from chart on opposite side of page.

NOTE: Add 5/8" to "A" dimension for dead stop.

2. Locate "B" dimension on frame and mortise 3/16" deep for jamb bracket as shown.



3. Locate "A" and "F" dimensions on centerline of door and mortise 13/16" wide x 7/8" deep for channel. 1/16" head clearance shown. Coordinate the arm and rail cutout dimensions if head clearance varies.

4. Locate "C" and "E" dimensions on top of door and mortise 1/4" deep as shown for arm clearance.

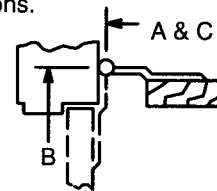
5. Install door stop or holder with screws provided.

NOTES:

- All hollow metal frames are to be provided with 3/16" min. thickness x 12" min. length reinforcement plates.
- All hollow metal doors are to be properly reinforced as shown.
- If dead stop is required add 5/8" to "A" dimension as noted on opposite side of page.
- A, B and C dimensions are measured from centerline of pivot, not edge of door.
- Reversible, non-handed.
- All dimensions are given in inches.

CAUTION:

Note location of swing clear hinge centerline to determine "A" and "B" dimensions.



Screw Details

Jamb	Door
#12-24 x 1/2" FHMS or #12 x 1-1/2" FHWS	#12-24 x 1-1/2" FHMS or #12 x 1-1/2" FHWS

**No. 2 Series
Concealed Door Stops and Holders**



Rixson Specialty Door Controls

www.rixson.com

TEMPLATE NUMBER

OH80005A

DATE

8-97

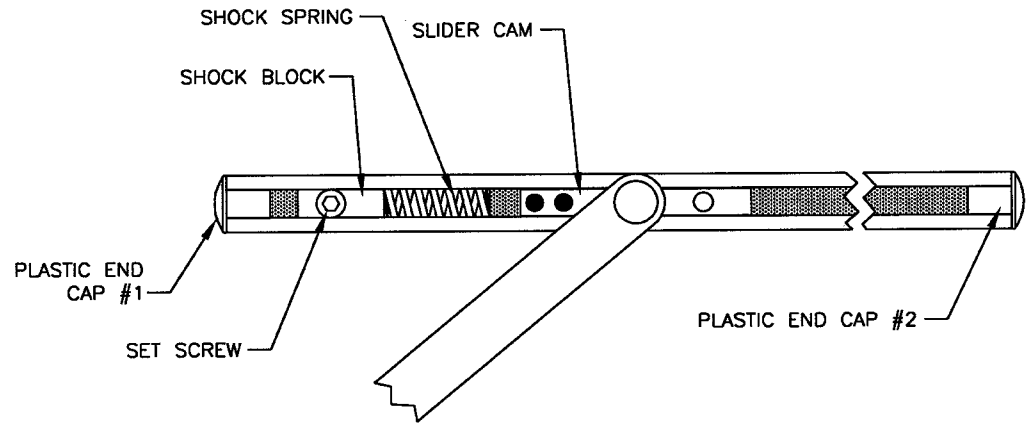
No. 2 Series Concealed Door Stops and Holders

1. See other side for installation instructions.
2. Select proper dimensions noted below.
3. Add 5/8" to "A" dimension for dead stop.
4. All dimensions given in inches.

When Using Center Hung Pivots, Check Pivot Manufacturer's Compatibility Prior to Specifying

* Butt mounting only.
Reversible, non-handed.

	Device Number				Door Opening	A	B	C	E	F
	Fric-tion	H.O.	Stop	Multi						
1 3/4" - 2 1/4" Butts & 3/4" Offset Pivot	2-116	2-126	2-136	2-146	*18-24	1 3/16	3 11/16	0	15 5/16	15 7/8
	2-216	2-226	2-236	2-246	24 1/16 - 30	4	4 3/8	2 9/16	16 9/16	17 1/16
	2-316	2-326	2-336	2-346	30 1/16 - 36	6 3/4	5 9/16	4 11/16	19	18 13/16
	2-416	2-426	2-436	2-446	36 1/16 - 42	9 7/8	7 1/4	6 3/8	23	21 1/4
	2-516	2-526	2-536	2-546	42 1/16 - 48	13 13/16	8 1/2	7 5/8	27 1/2	23 1/16
Center Hung	Device Number				Door Opening	A	B	C	E	F
	Fric-tion	H.O.	Stop	Multi						
	2-116	2-126	2-136	2-146	—	—	—	—	—	—
	2-216	2-226	2-236	2-246	27 - 32 90° Max. Opening	5 7/16	6 1/8	5 1/4	15 5/8	17 1/16
	2-316	2-326	2-336	2-346	32 1/16 - 38 1/2	7 3/16	6	5 9/32	19	18 13/16
	2-416	2-426	2-436	2-446	38 9/16 - 45	10 5/16	7 11/16	6 13/16	23	21 1/4
2-516	2-526	2-536	2-546	45 1/16 - 48	14 1/4	8 15/16	8 1/16	27 1/2	23 1/16	



TO SELECT DEGREE OF STOP

1. With a 3/16 hex key wrench, loosen the set screw in the shock block.
2. Open door to desired degree of opening.
3. Slide shock block and spring until the spring touches slider cam.
4. Tighten set screw.
5. Verify door opening position and re-adjust, as needed.

**No. 2 Series
Concealed Door Stops and Holders**

RIXSON®
Rixson Specialty Door Controls

www.rixson.com

TEMPLATE NUMBER	OH80005B	DATE	1-00
-----------------	-----------------	------	-------------