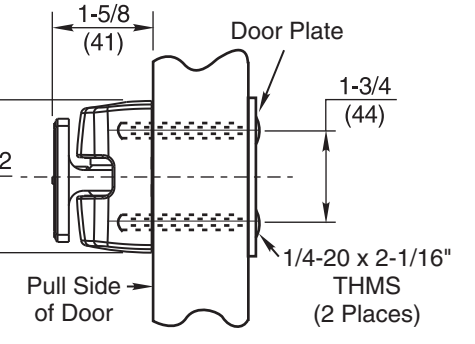
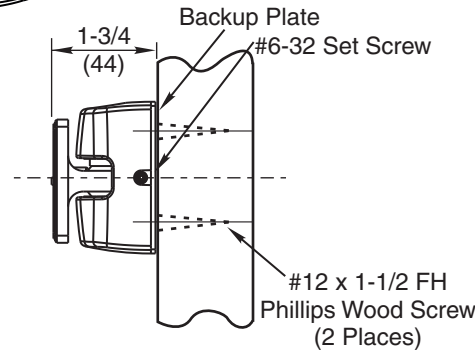
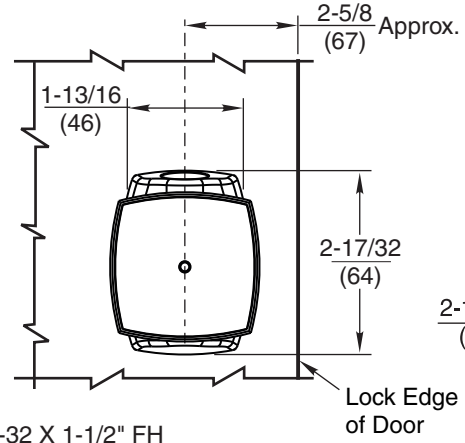
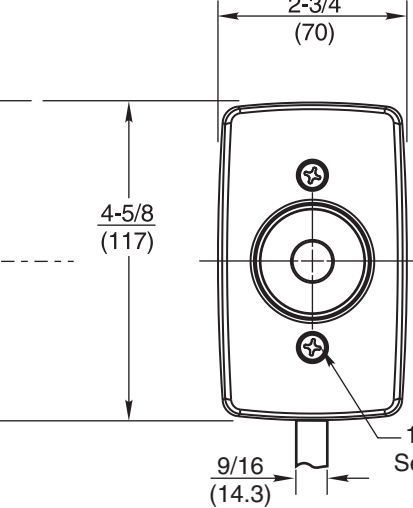
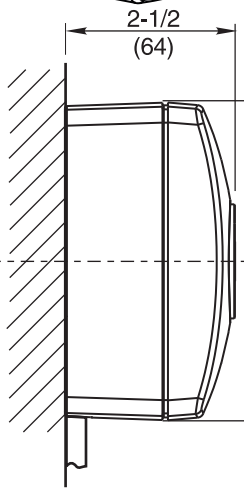
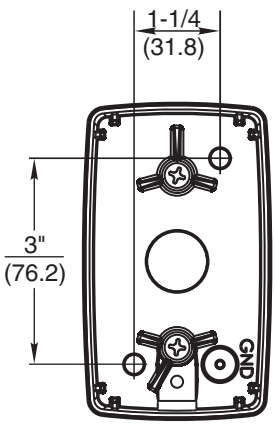


CAUTION: Nicks and scratches on the magnet surface will lessen or diminish the holding force of the magnet. Do not remove protective cap, if present, until last steps of installation.



Notes:

1. Do not scale drawing.
2. Total projection 4-1/8" (105mm). (Includes surface adapter housing, electromagnet and armature assembly.)
3. Non-tri voltage magnets have two non-polarized wires to be connected. Tri voltage magnets are connected using a terminal strip on back of magnet. One wire in common and one wire in the appropriate voltage terminal (non-polarized). Ground surface adapter housing to earth ground per state and local electrical regulations using conductor provided.

4. See step 1 of sheet 2 for Surface Adapter Housing location. Anchor Housing to withstand a minimum 50 lb. pull. Surface Adapter Housing shown installed in a vertical position.
5. Door closing mechanism should have a 3 lb. closing force at the degree of door opening where door armature and electromagnet engage.
6. Mounting of Surface Adapter Housing should be reinforced to withstand shock of door opening. Failure to do so will cause Housing anchors to work loose.
7. All dimensions given in inches (mm).
8. See sheet 2 for more details.

996M Door Release

RIXSON
ASSA ABLOY

www.rixson.com

SHEET	TEMPLATE NUMBER	Rev
1 of 2	DR100255	1