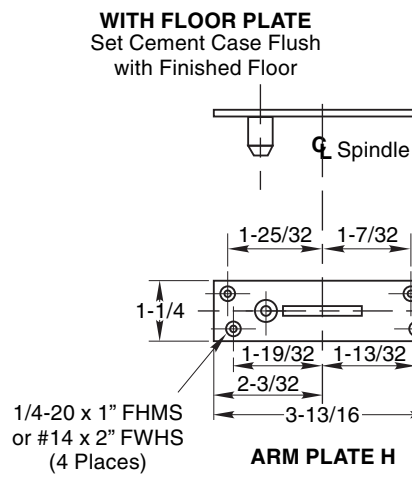
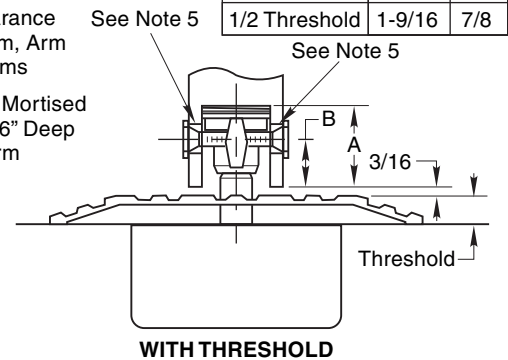
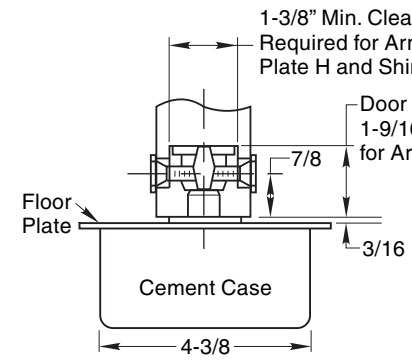


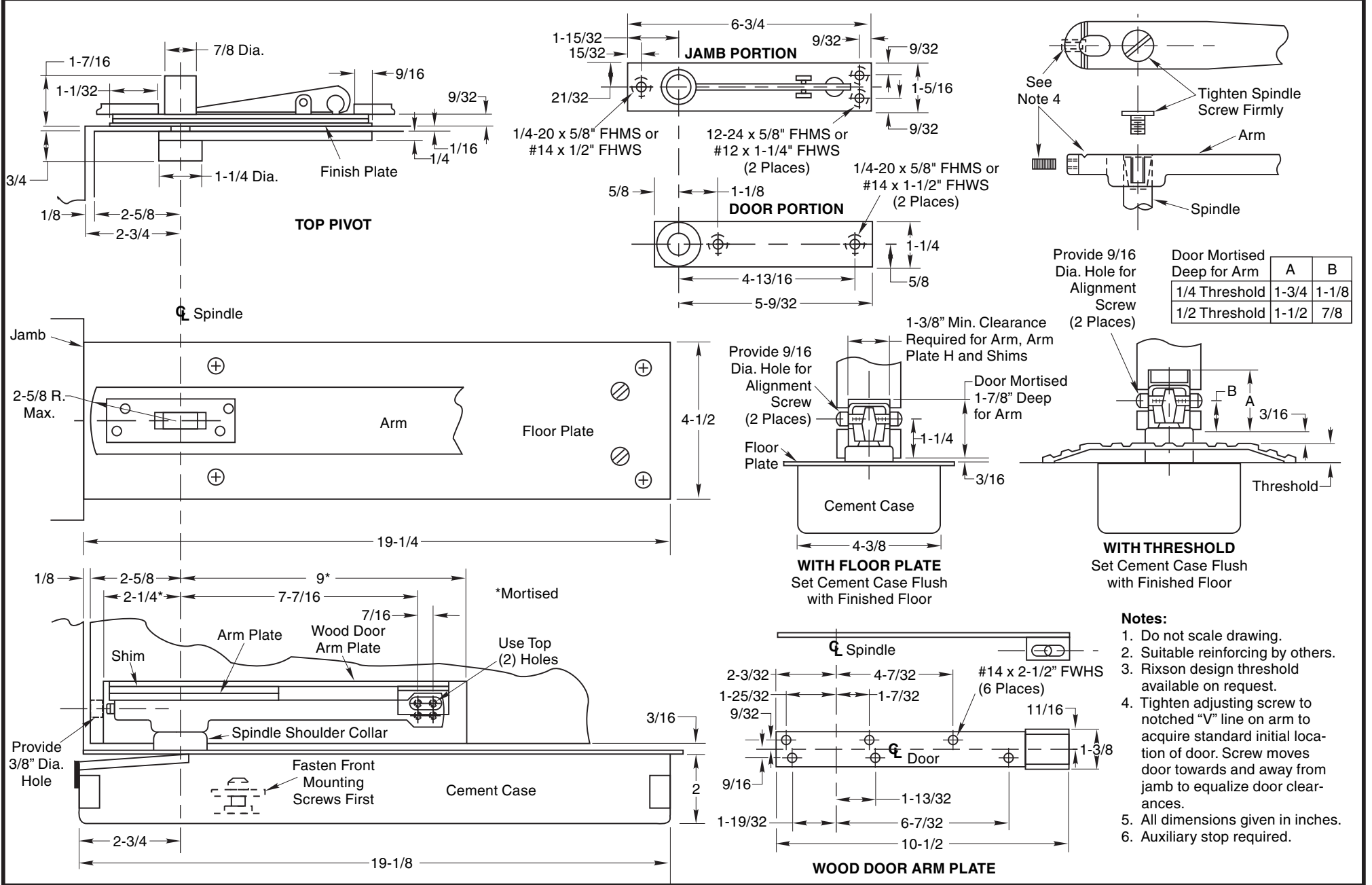
Door Mortised Deep for Arm	A	B
1/4 Threshold	1-13/16	1-1/8
1/2 Threshold	1-9/16	7/8



- Notes:**
1. Do not scale drawing.
 2. Suitable reinforcing by others.
 3. Rixson design threshold available on request.
 4. Tighten adjusting screw to notched "V" line on arm to acquire standard initial location of door. Screw moves door towards and away from jamb to equalize door clearances.
 5. Provide 5/8" dia. holes for alignment screws (2 places).
 6. Do not remove grind plate until closer is installed.
 7. External stop by others required.
 8. All dimensions given in inches.
 9. Auxiliary stop required.

**50 Series Floor Closer
Center Hung**

RIXSON®
ASSA ABLOY
www.rixson.com



Door Mortised Deep for Arm	A	B
1/4 Threshold	1-3/4	1-1/8
1/2 Threshold	1-1/2	7/8

**W50 Series Floor Closer
Center Hung for Wood Door**

RIXSON®
ASSA ABLOY
 www.rixson.com

TEMPLATE NUMBER **CH20410** DATE **02-09**