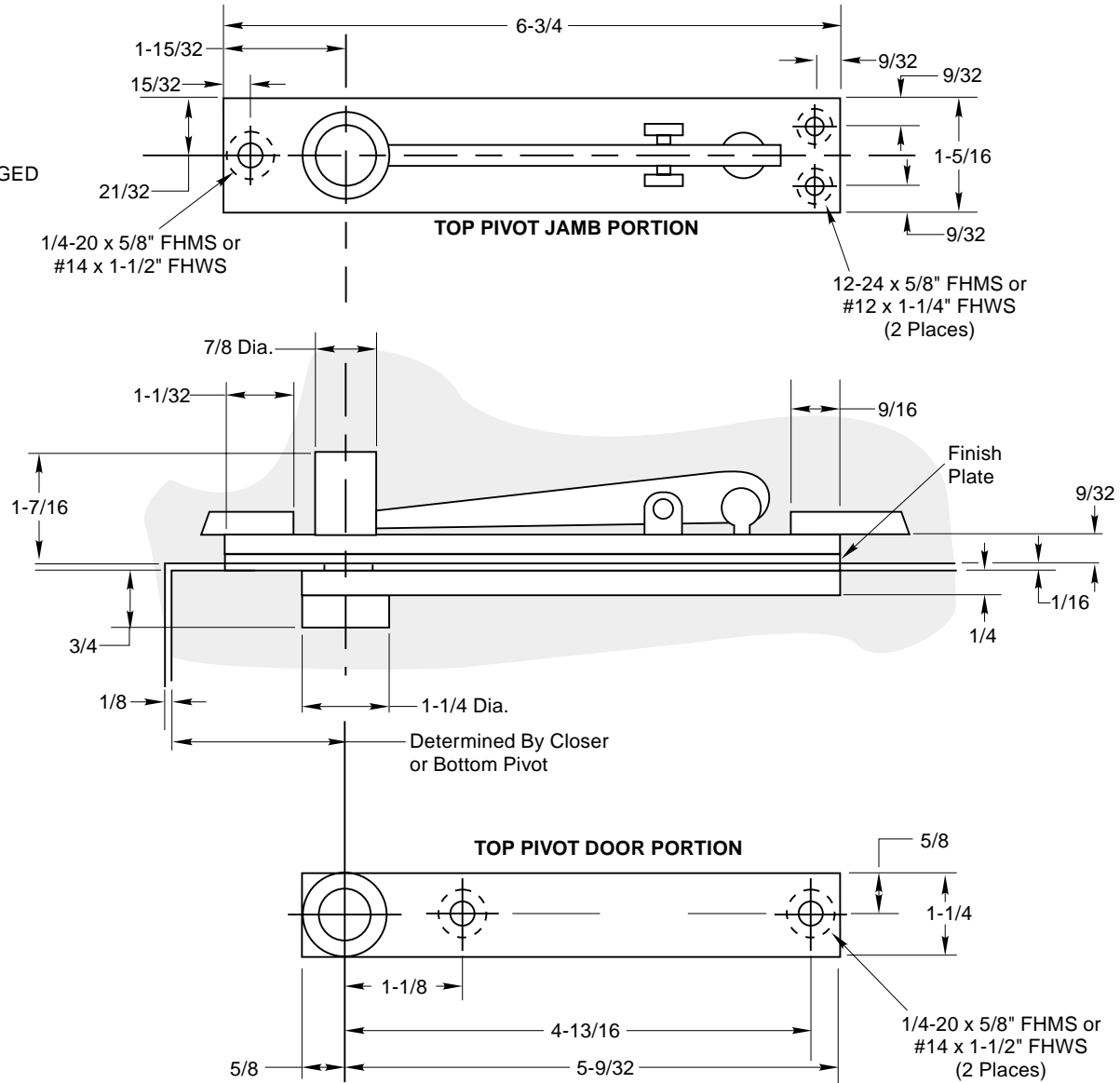


Notes:

- 1. Do not scale drawing.
- 2. All dimensions are in inches.
Conversion to metric =
inch x 25.4.

**345 TOP PIVOT
PIVOT SHOWN ENGAGED**



**Top Pivot
340
Center Hung**



Rixson Specialty Door Controls

www.rixson.com

TEMPLATE NUMBER

TP40210

DATE

9-06