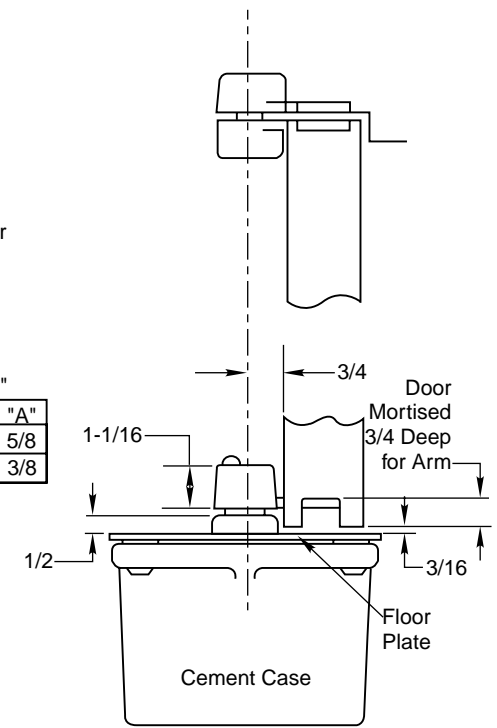


**WITH THRESHOLD**  
Set Cement Case Flush with Finished Floor



**WITH FLOOR PLATE**  
Set Cement Case 1/8" Below Surface of Finished Floor

- Notes:**
1. Do not scale drawing.
  2. Right hand shown.
  3. Maximum degree of opening, trim permitting, 180°.
  4. All dimensions given in inches.

Closer No.	Dimensions					
	A	B	C	D	E	F
20	5	5-1/16	8-25/32	8-13/16	3-5/8	10-3/32
25	5-7/8	6-1/8	9-13/16	9-7/8	4-1/16	11-1/8

**Floor Closers**  
**20, 25, or 25-180° Hold Open**  
**3/4" Offset**

**RIXSON**<sup>TM</sup>  
Rixson Specialty Door Controls  
www.rixson.com  
TEMPLATE NUMBER **OS10000** DATE **6-03**