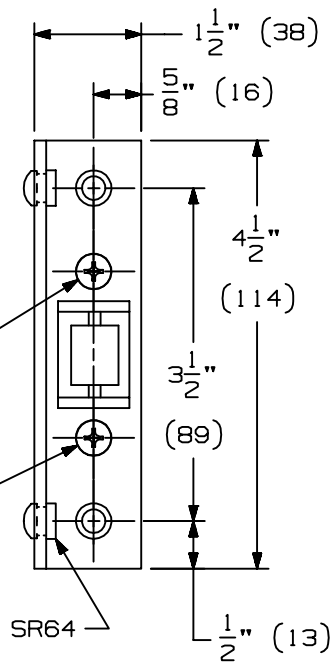
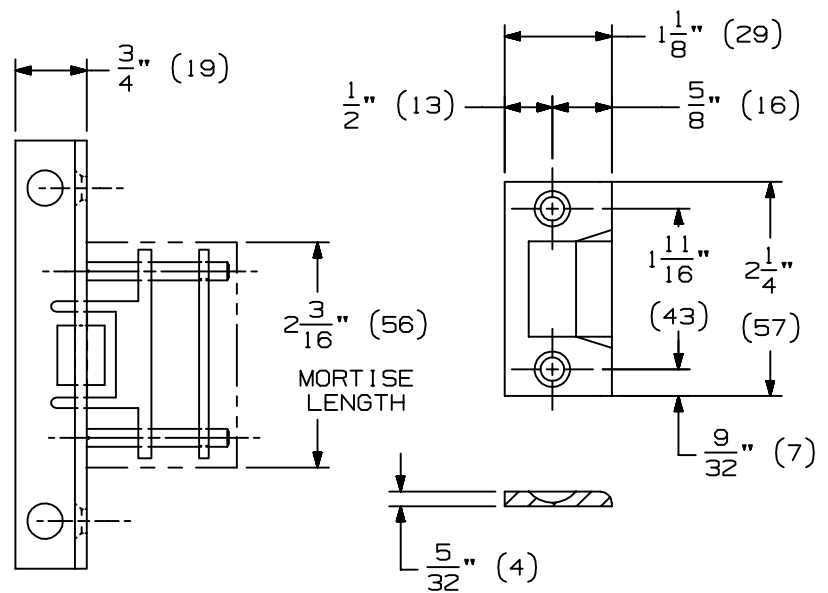


ROLLER LATCH

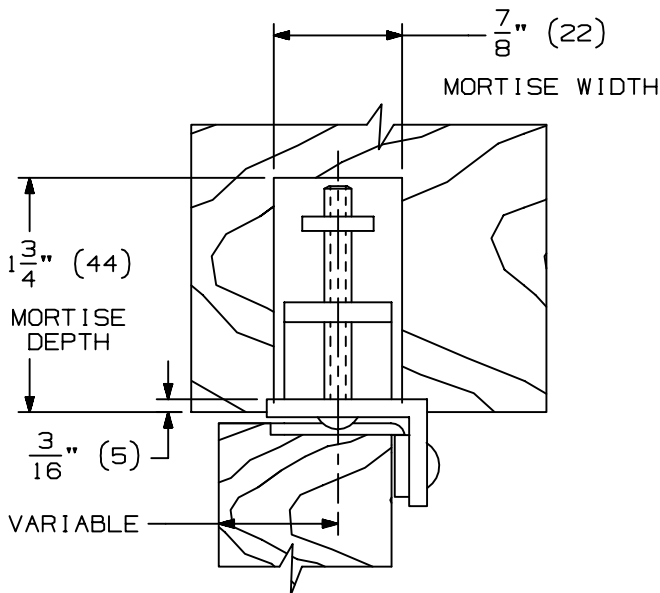


STRIKE

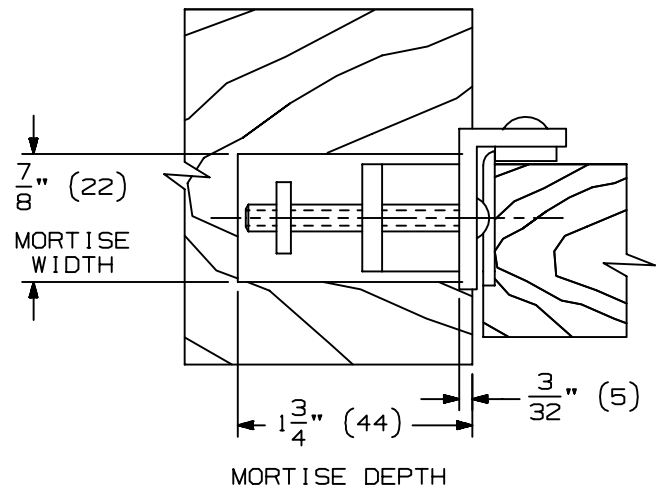


ADJUSTING SCREWS SEE THAT ROLLER EXTENDS EVENLY AND IS PARALLEL WITH DOOR.

HEAD FRAME MOUNTING



SIDE JAMB MOUNTING



NOTES:

- HOLLOW METAL DOORS & FRAMES SHOULD BE PROPERLY REINFORCED WITH A 3/16" (5) MINIMUM THICKNESS PLATE.

	QTY	SCREW DETAILS
LATCH	2	10 X 1 1/2" FPHSMS
STRIKE	2	8 X 1" FPHSMS



RL1152 ANGLE ROLLER LATCH
INSTALLATION TEMPLATE



NOTE: DIMENSIONS IN () ARE MILLIMETERS.

TEMPLATE NUMBER: INST. RL1152_0

DATE: 09-01-01