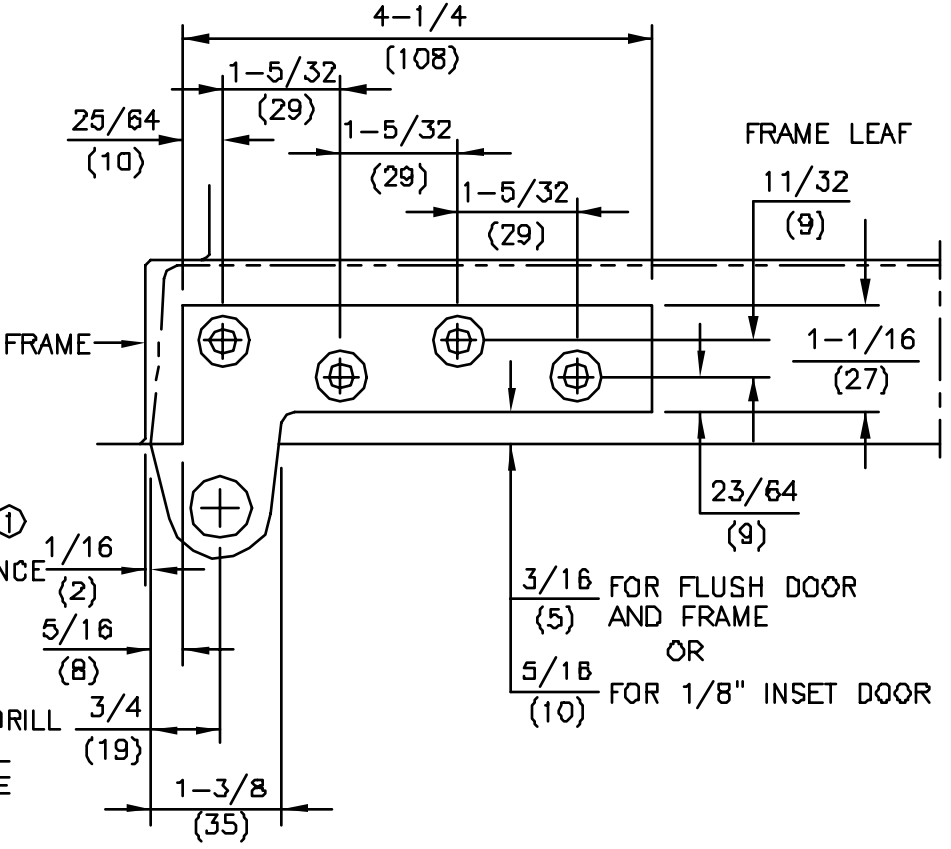
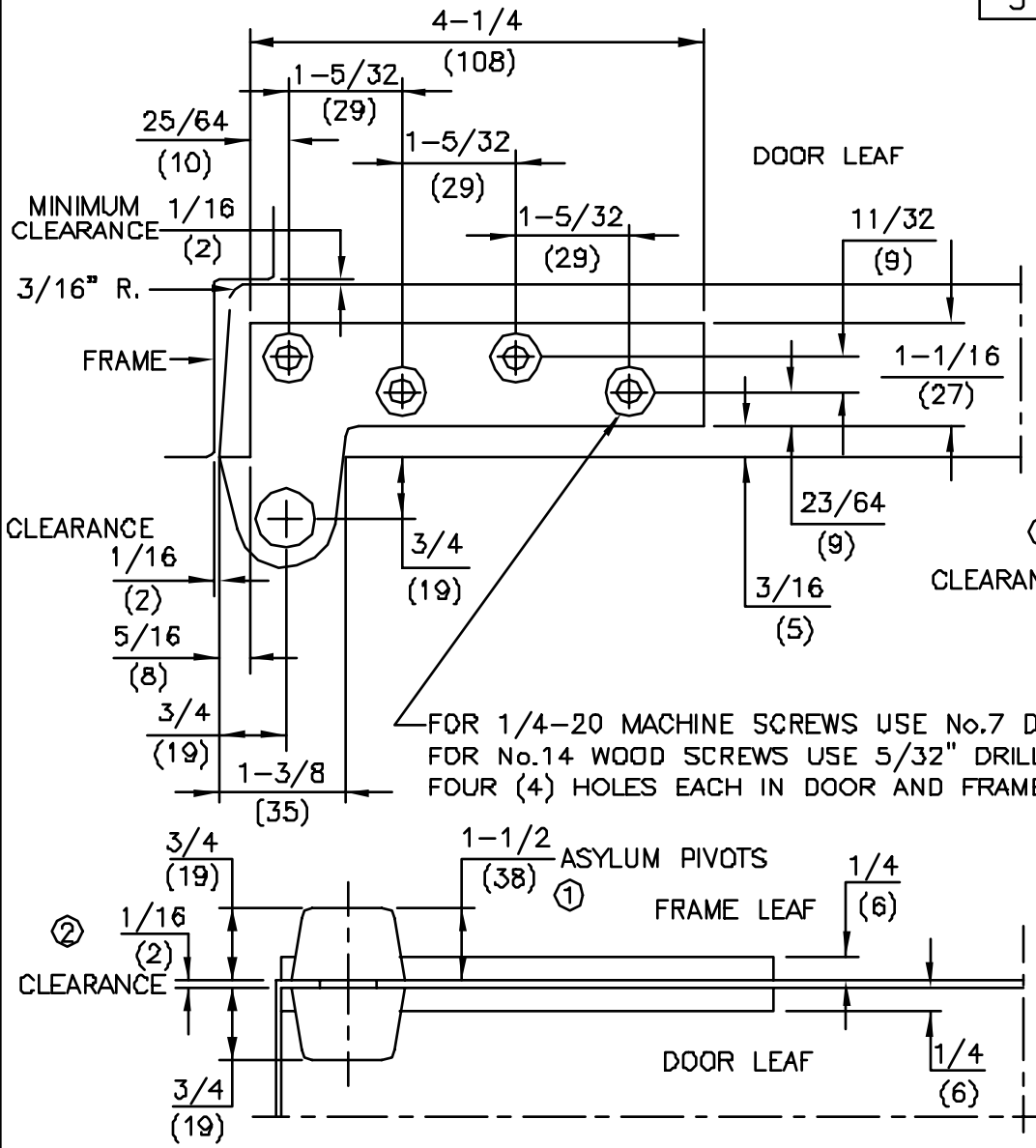


No.	REVISIONS	DATE
2	ADDED 1/16" CLEARANCE DIMENSION	3/5/93
3	REVISED TO TAKE OUT ASYLUM	4/11/00



3/16 FOR FLUSH DOOR AND FRAME OR 5/16 FOR 1/8" INSET DOOR

- NOTES
1. DO NOT SCALE DRAWING.
  2. DIMENSIONS ARE IN INCHES/(MM).
  3. RIGHT HAND DOOR SHOWN.
  4. BEVEL HEEL EDGE OF DOOR 1/8" IN 2".
  5. ALL NECESSARY REINFORCING FOR PIVOT BY OTHERS.
  6. FLUSH DOOR & FRAME STANDARD. 1/8" INSET DOORS REQUIRE PIVOT WITH 5/8" SUFFIX.

ITEM No. [75120, 75122, 75133 (DOOR FLUSH WITH FRAME) NON-HANDED]  
 [75120 5/8, 75122 5/8, 75133 5/8 (DOOR INSET 1/8" FROM FRAME) HANDED]  
 3/4" OFFSET FULL MORTISE TOP PIVOT ③

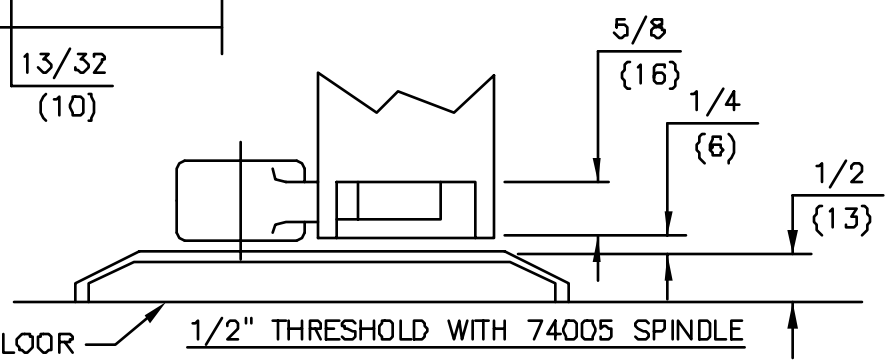
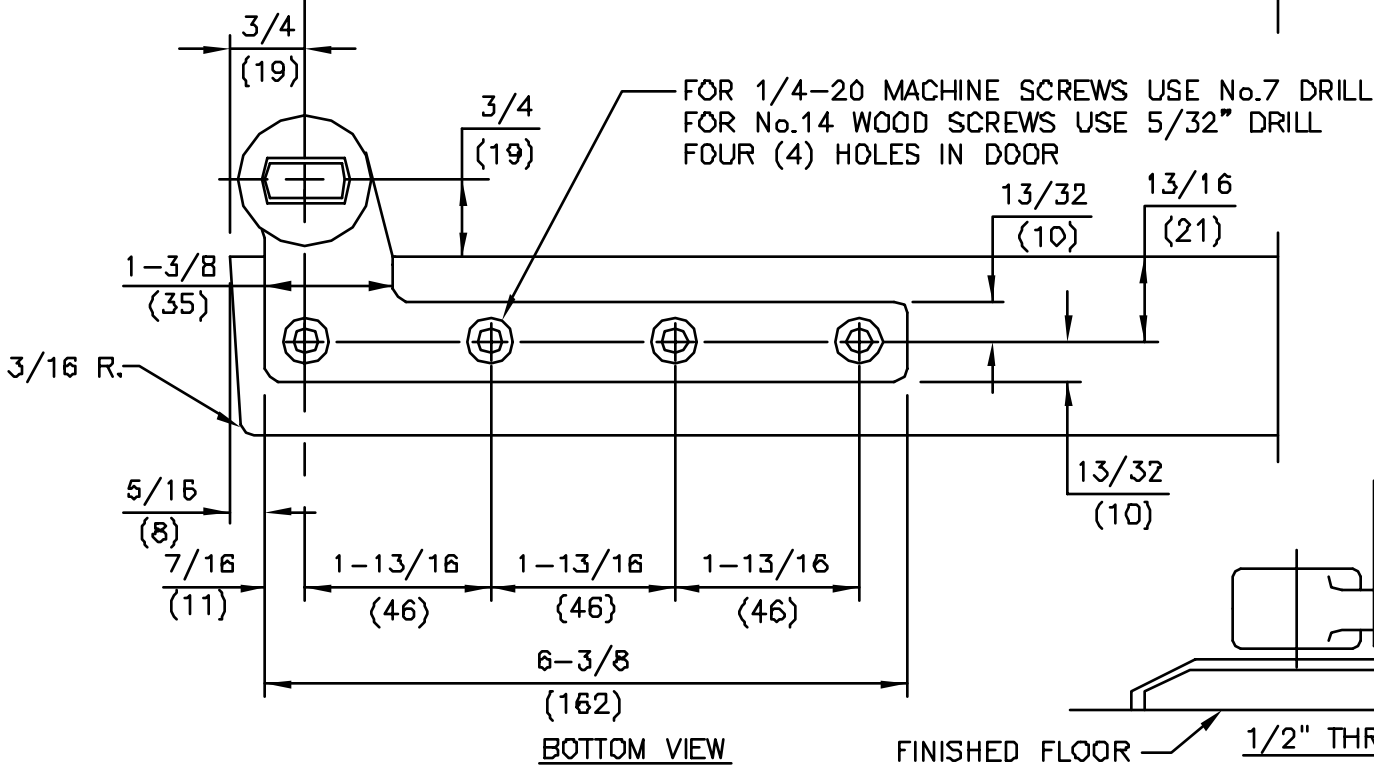
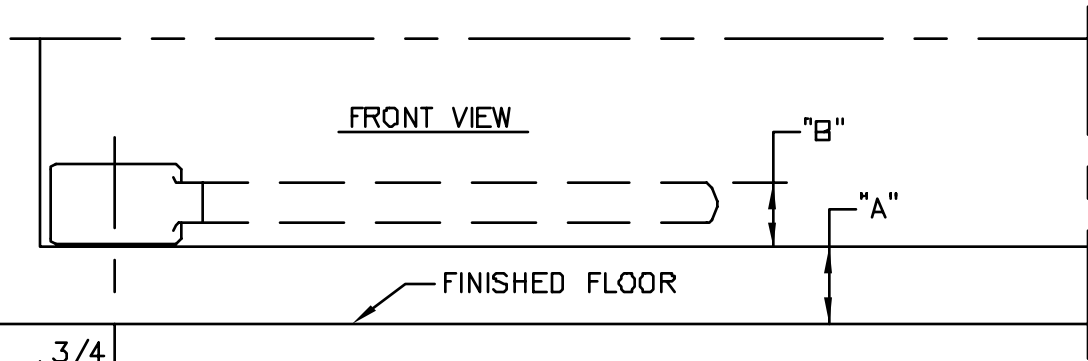


DORMA Architectural Hardware  
 REAVISTOWN, PENNSYLVANIA 17567  
 TEMPLATE No. LM-34 ③

NOTES

1. DO NOT SCALE DRAWING.
2. DIMENSIONS ARE IN INCHES/(MM).
3. RIGHT HAND DOOR SHOWN.
4. BEVEL HEEL EDGE OF DOOR 1/8" IN 2".
5. ALL NECESSARY REINFORCEMENT FOR ARM BY OTHERS.

SPINDLE EXT.	"A" CLEARANCE	"B" MORTISE DEPTH
74003	3/8"	3/4"
74003	9/16"	9/16"
STD.74005	3/4"	9/16"
74007	7/8"	9/16"
74010	1"	9/16"
74012	1-1/16"	9/16"
74015	1-1/8"	9/16"
74020	1-3/8"	9/16"
74025	1-9/16"	9/16"
74030	1-3/4"	9/16"



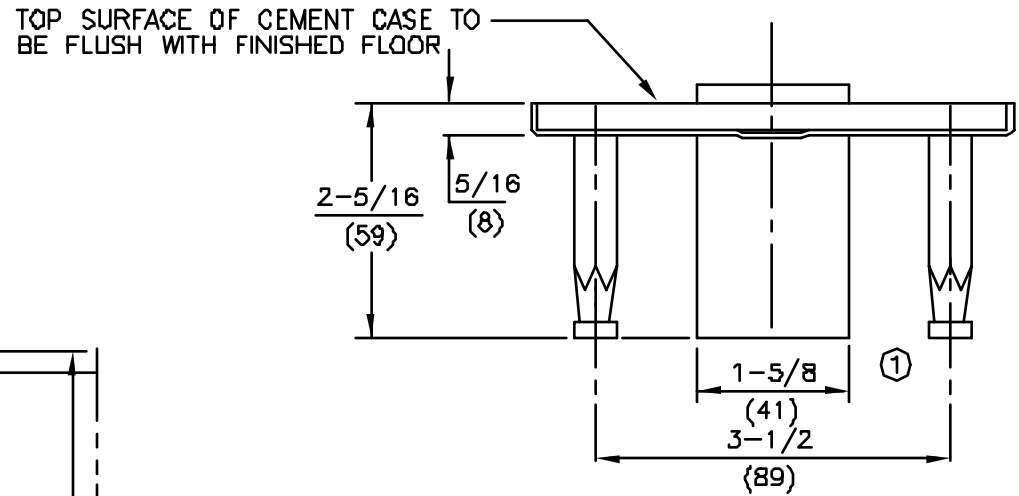
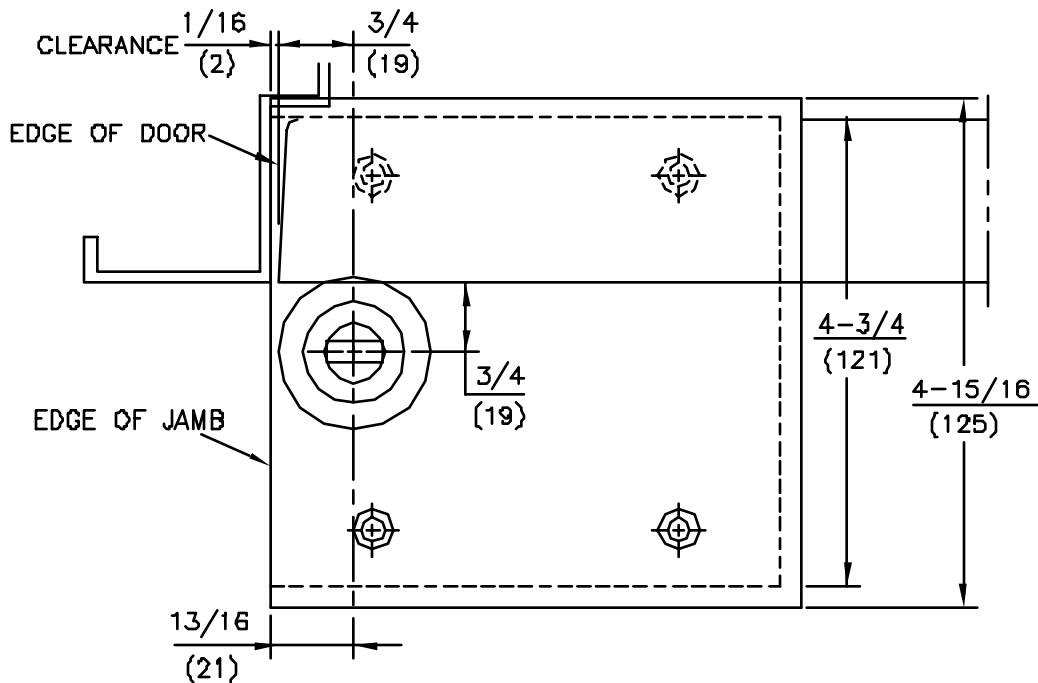
ITEM No. 75323  
 3/4" OFFSET BOTTOM ARM  
 FOR NON-FIRE OR 3 HR. RATED DOORS  
 FOR USE WITH 7471HD FLOOR BEARING



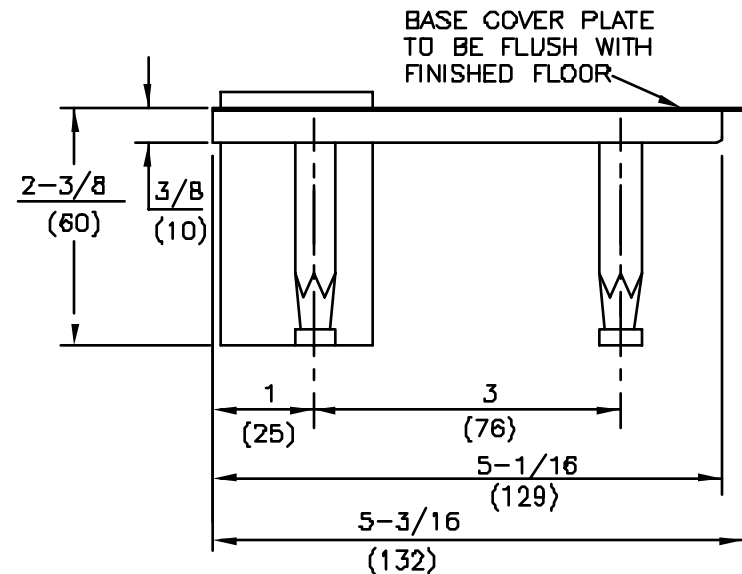
DORMA Architectural Hardware  
 REAMSTOWN, PENNSYLVANIA 17567  
 TEMPLATE No. LM-63

No.	REVISIONS	DATE
1	REVISED DIMENSION	4/24/00

- NOTES:  
 1. DO NOT SCALE DRAWING.  
 2. DIMENSIONS ARE IN INCHES\MM.  
 3. RIGHT HAND DOOR SHOWN.



WITH THRESHOLD



WITHOUT THRESHOLD

ITEM No. 7471HD FLOOR BEARING  
 3/4" OFFSET HEAVY DUTY FLOOR BEARING INSTALLATION  
 FOR USE WITH 75323 & 75343, 75343-2,  
 75343-2-1/4, 75343-2-1/2, 75343-3 LEAD LINED BOTTOM ARMS



DORMA Architectural Hardware  
 REAMSTOWN, PENNSYLVANIA 17667  
 TEMPLATE No. LM-60 ①