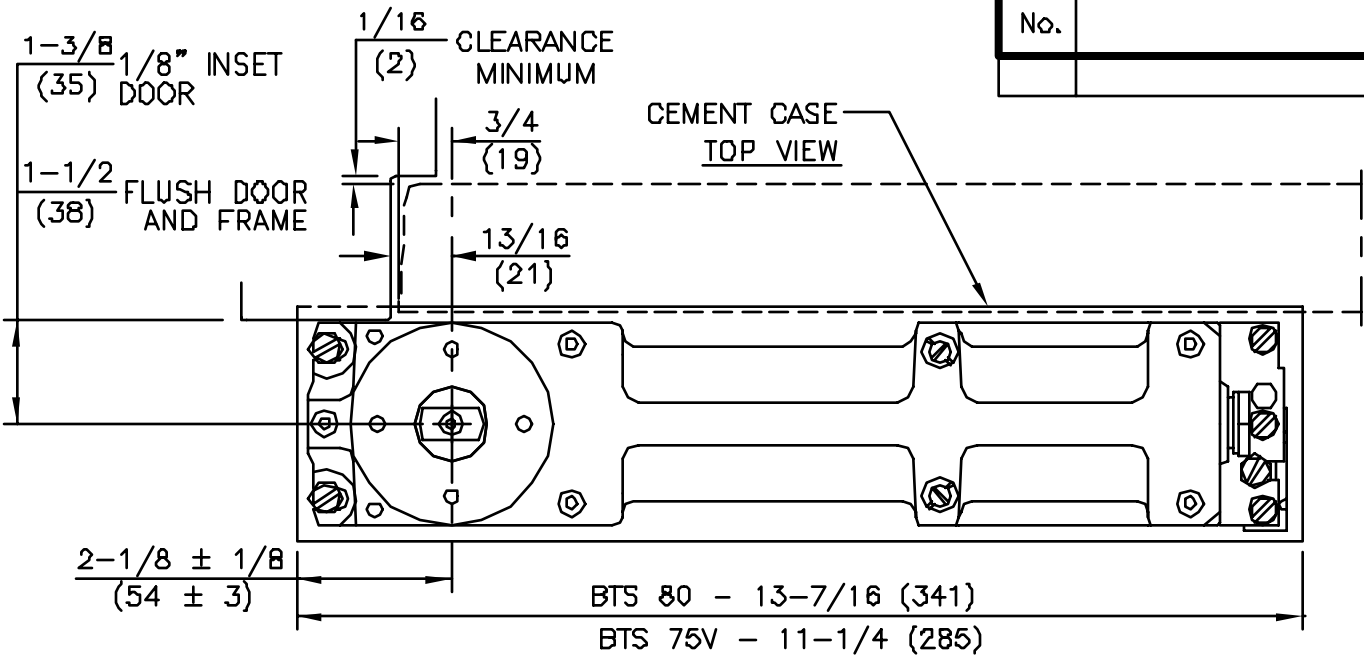
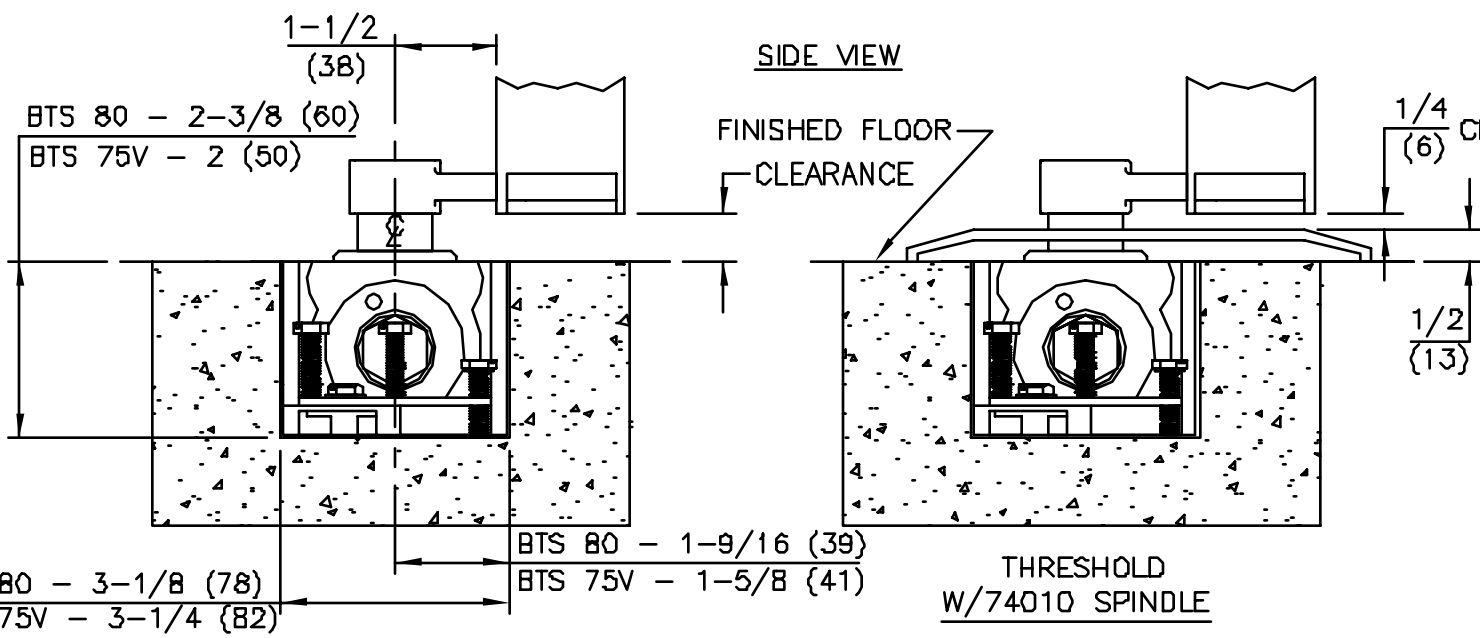


No.	REVISIONS	DATE



- NOTES
- DO NOT SCALE DRAWING.
 - DIMENSIONS ARE IN INCHES/(MM).
 - TOP OF CEMENT CASE MUST BE FLUSH WITH FINISH FLOOR LINE.
 - CEMENT CASE MUST BE LEVEL AND PARALLEL TO FRAME.
 - INSTALL CEMENT CASE WITH CLOSER CENTERED IN CASE.
 - 1/8" INSET INSTALLATION SHOWN.



SPINDLE NO.	CLEARANCE
74003	5/16"
74005	1/2"
74007	5/8"
(STD.) 74010	3/4"
74012	13/16"
74015	7/8"
74020	1-1/8"
74025	1-5/16"
74030	1-1/2"
74035	1-11/16"
74040	1-7/8"
74045	2-1/16"
74050	2-5/16"

FLOOR CLOSER MODELS: BTS 75V/C & BTS 80/C
 1-1/2" OFFSET
 CEMENT CASE PLACEMENT

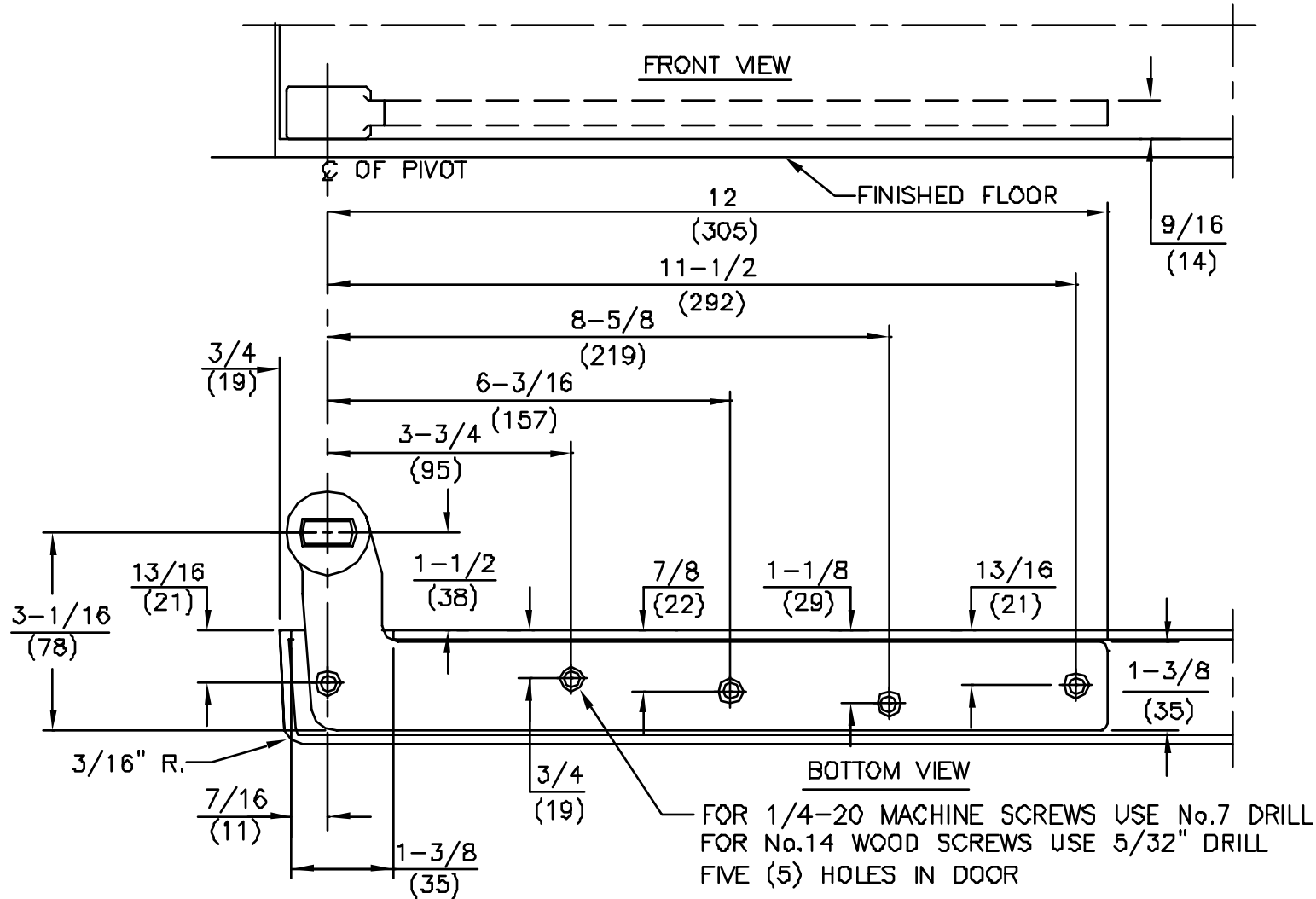


DORMA Architectural Hardware
 REAMSTOWN, PENNSYLVANIA 17567
 TEMPLATE No. BTS-79

NOTES

1. DO NOT SCALE DRAWING.
2. DIMENSIONS ARE IN INCHES/(MM).
3. RIGHT HAND DOOR SHOWN.
4. BEVEL HEEL EDGE OF DOOR 1/8" IN 2".
5. ALL NECESSARY REINFORCEMENT FOR ARM BY OTHERS.

No.	REVISIONS	DATE
1	REDRAW	5/7/90



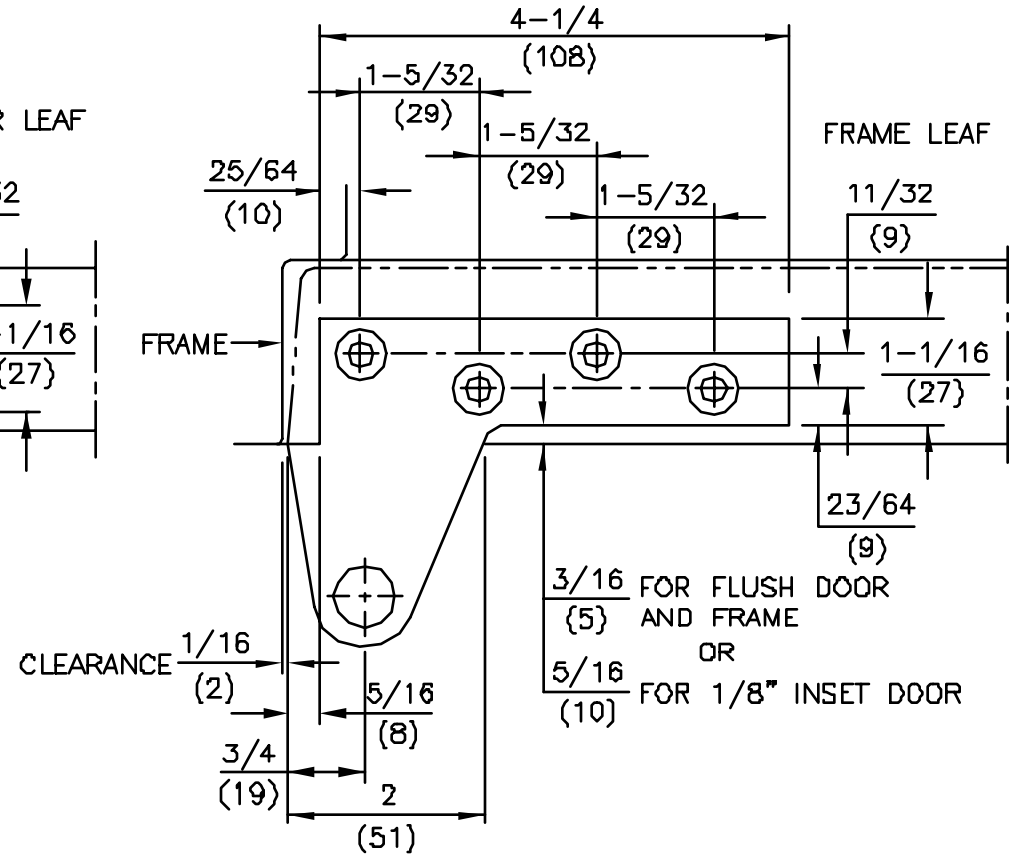
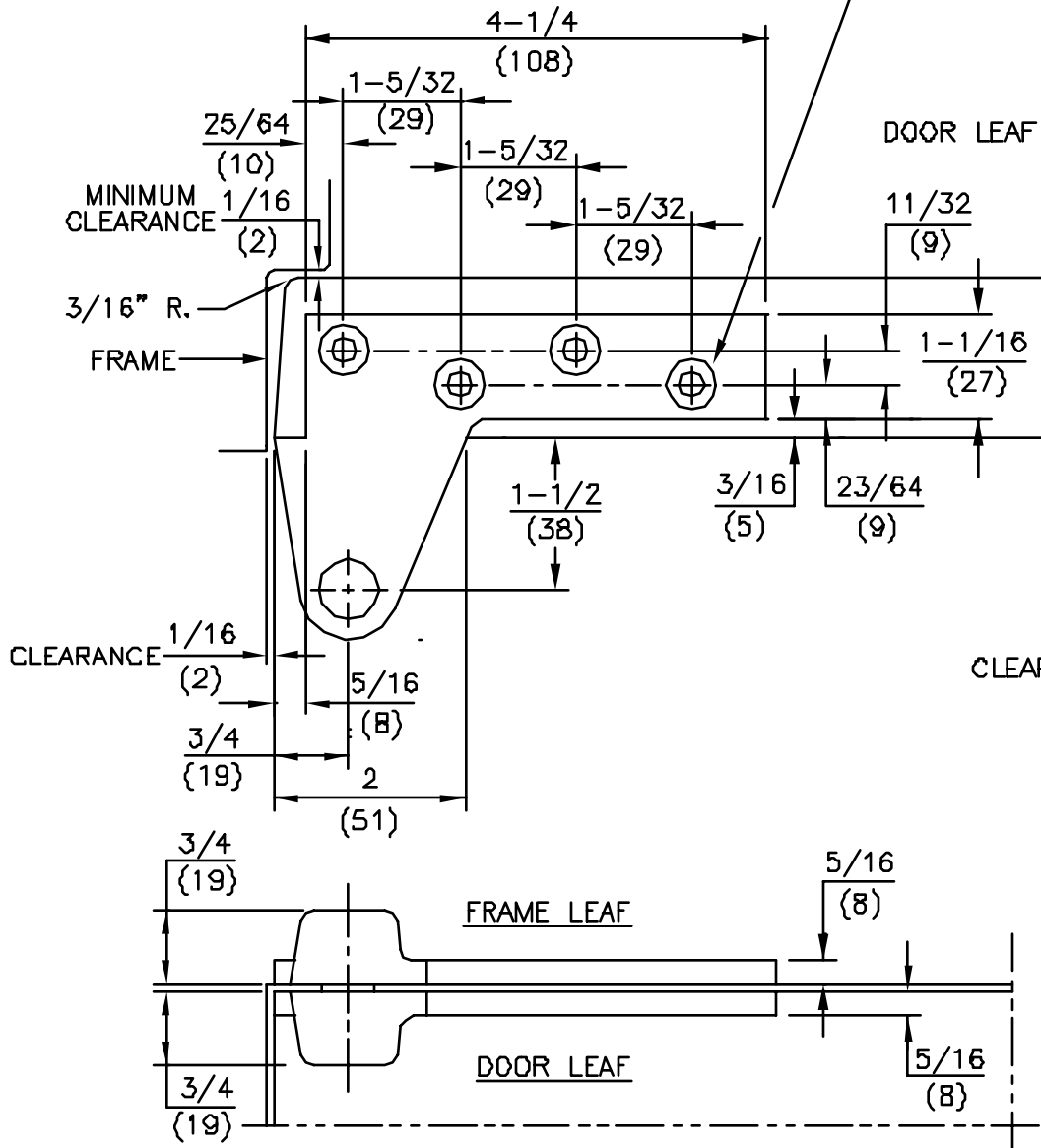
ITEM No. 15323
1-1/2" OFFSET STANDARD BOTTOM ARM (HANDED)



DORMA Architectural Hardware
REAMSTOWN, PENNSYLVANIA 17567
TEMPLATE No. BTS-45 (1)

FOR 1/4-20 MACHINE SCREWS USE No.7 DRILL
 FOR No.14 WOOD SCREWS USE 5/32" DRILL
 FOUR (4) HOLES PER LEAF

No.	REVISIONS	DATE



NOTES

1. DO NOT SCALE DRAWING.
2. DIMENSIONS ARE IN INCHES/(MM).
3. RIGHT HAND DOOR SHOWN.
4. BEVEL HEEL EDGE OF DOOR 1/8" IN 2".
5. ALL NECESSARY REINFORCING FOR PIVOT BY OTHERS.

ITEM No. [15120, 15122, 15133 (DOOR FLUSH WITH FRAME) NON-HANDED],
 [15120 5/8, 15122 5/8, 15133 5/8 (DOOR INSET 1/8" FROM FRAME) HANDED]
 1-1/2" OFFSET FULL MORTISE TOP PIVOT

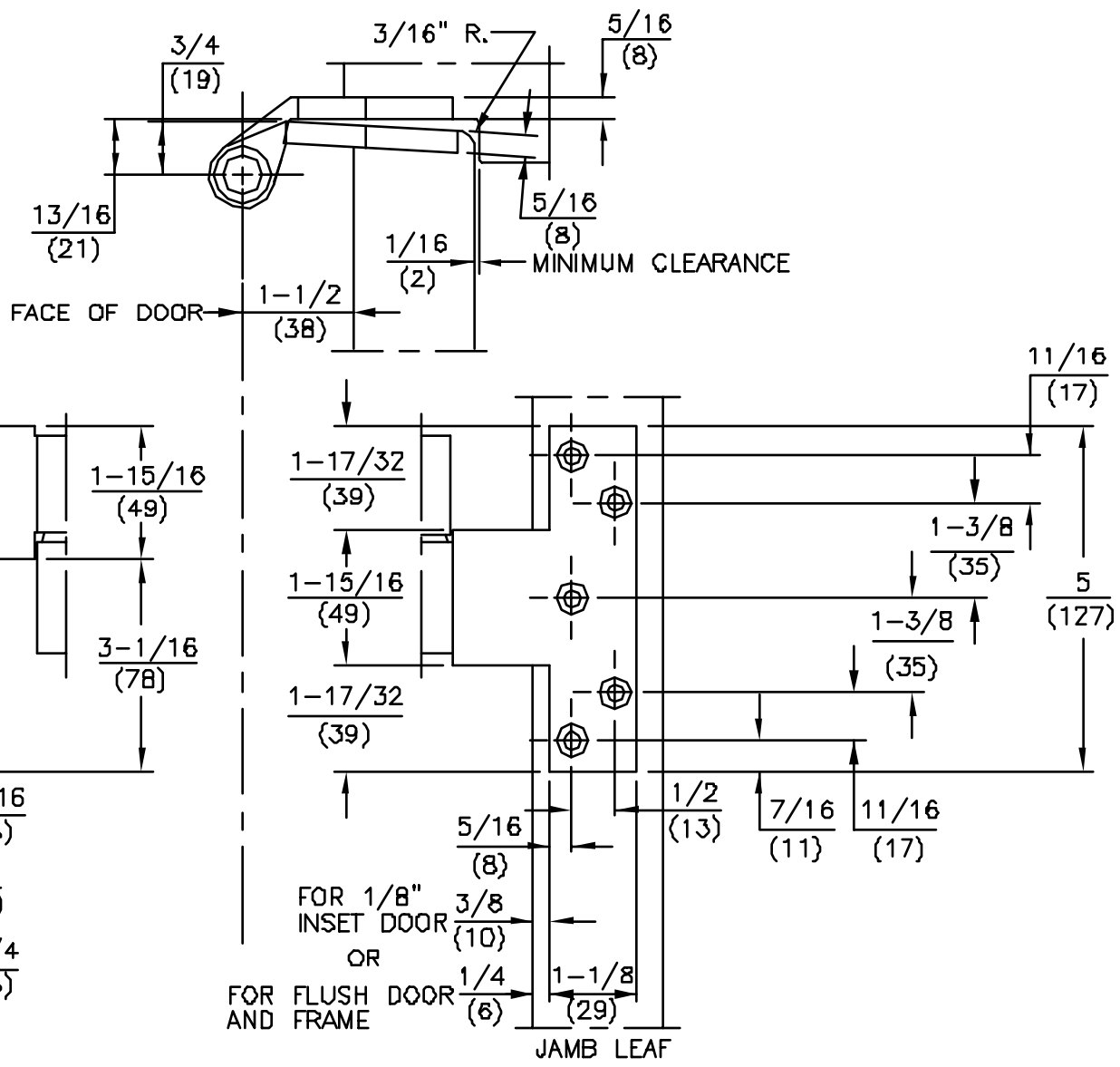


DORMA Architectural Hardware
 REAMSTOWN, PENNSYLVANIA 17567
 TEMPLATE No. BTS-72

No.	REVISIONS	DATE

- NOTES
1. DO NOT SCALE DRAWING.
 2. DIMENSIONS ARE IN INCHES/(MM).
 3. RIGHT HAND DOOR SHOWN.
 4. BEVEL HEEL EDGE OF DOOR 1/8" IN 2".
 5. ALL NECESSARY REINFORCEMENT FOR PIVOT BY OTHERS.

FOR 1/4-20 MACHINE SCREWS USE No.7 DRILL
 FOR No.14 WOOD SCREWS USE 5/32" DRILL
 FIVE {5} HOLES IN EACH LEAF



ITEM No. 15220, 15222, 15233
 1-1/2" OFFSET FULL MORTISE
 INTERMEDIATE PIVOT (HANDED)



DORMA Architectural Hardware
 REAMSTOWN, PENNSYLVANIA 17567
 TEMPLATE No. BTS-73