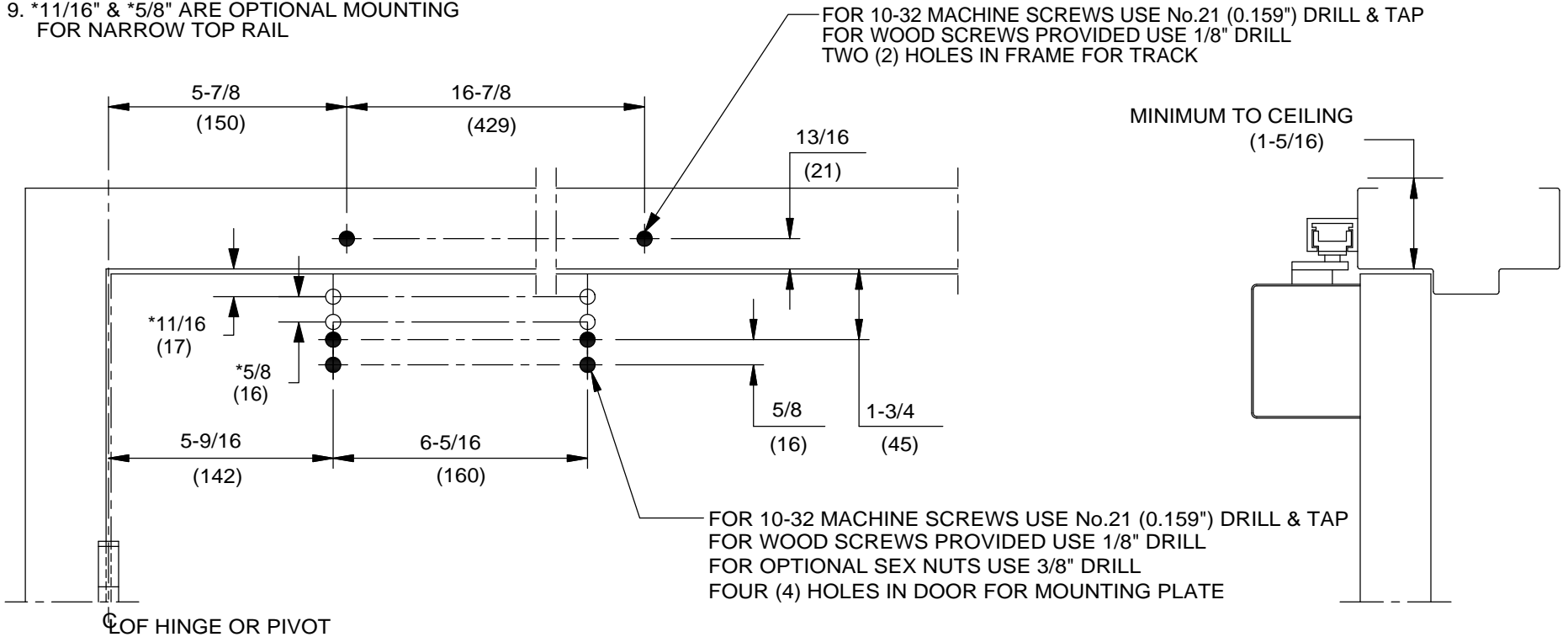


NOTES:

1. DO NOT SCALE DRAWING.
2. DIMENSIONS ARE IN INCHES/(MM).
3. RIGHT HAND DOOR SHOWN.
4. SEX NUTS RECOMMENDED FOR ATTACHMENT OF COMPONENTS ON UNREINFORCED, COMPOSITE OR LABELED FIRE DOORS.
5. MAXIMUM DEGREE OF OPENING 175°.
6. TEMPLATE FOR 4-1/2" X 4-1/2" BUTT HINGES AND 3/4" OFFSET PIVOTS.
7. MINIMUM DOOR WIDTH 24".
8. HOLD OPEN RANGE 50°-140°.
9. \*11/16" & \*5/8" ARE OPTIONAL MOUNTING FOR NARROW TOP RAIL

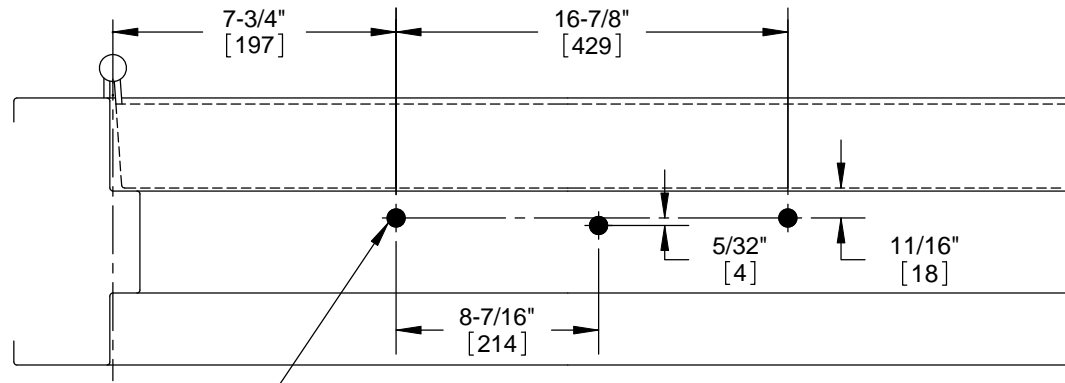


Always consult Dorma's web site for latest template at [www.dorma-usa.com](http://www.dorma-usa.com) or call 1-800-523-8483.

DOOR CLOSER MODELS: TS93T, TS93THO  
TRACK INSTALLATION (PULL SIDE MOUNT)  
NON-HOLD OPEN AND HOLD OPEN



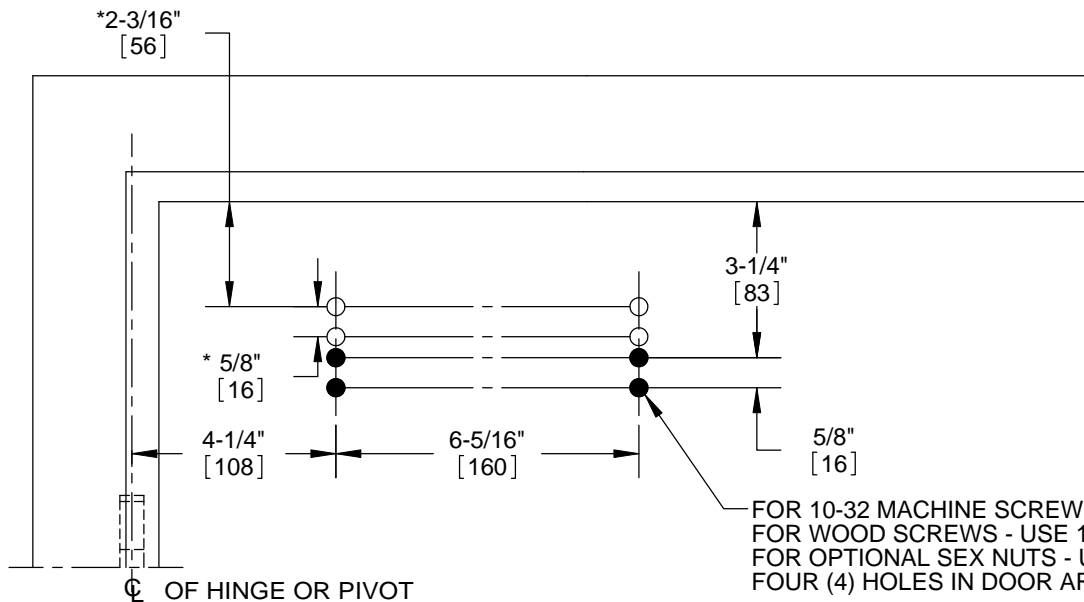
DORMA Door Controls  
Reamstown, PA 17567



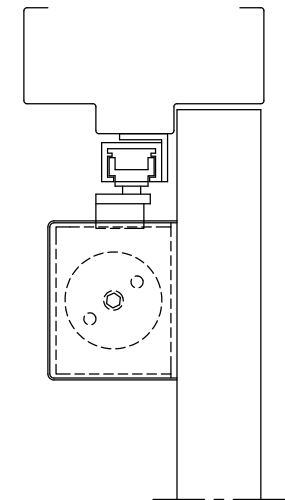
FOR 10-32 MACHINE SCREWS - USE No. 21 (0.159") DRILL & TAP  
 FOR WOOD SCREWS - USE 1/8" DRILL  
 THREE (3) HOLES IN FRAME ARE FOR ANGLE BRACKET

NOTES:

- 1) DO NOT SCALE DRAWING
- 2) DIMENSIONS ARE IN INCHES/[MM]
- 3) LEFT HAND DOOR SHOWN
- 4) SEX NUTS ARE RECOMMENDED FOR ATTACHMENT OF COMPONENTS ON UNREINFORCED, COMPOSITE OR LABELED FIRE DOORS.
- 5) MAXIMUM DEGREE OF OPENING 135°. FOR DOORS OPENING OVER 135°, AN AUXILIARY STOP MUST BE INSTALLED.
- 6) TEMPLATE IS FOR 4-1/2" X 4-1/2" BUTT HINGES AND 3/4" OFFSET PIVOTS.
- 7) MINIMUM DOOR WIDTH IS 26".
- 8) HOLD OPEN RANGE IS FROM 55° TO 130°.
- \*9) 2-3/16" & 5/8" ARE OPTIONAL MOUNTING FOR NARROW TOP RAIL.



FOR 10-32 MACHINE SCREWS - USE No.21 (0.159") DRILL & TAP  
 FOR WOOD SCREWS - USE 1/8" DRILL  
 FOR OPTIONAL SEX NUTS - USE 3/8" DRILL  
 FOUR (4) HOLES IN DOOR ARE FOR MOUNTING PLATE



DOOR CLOSER MODELS: TS93 PT, PTH  
 PARALLEL TRACK INSTALLATION (PUSH SIDE MOUNT)  
 NON-HOLD OPEN AND HOLD OPEN



DORMA Door Controls  
 Reamstown, PA 17567