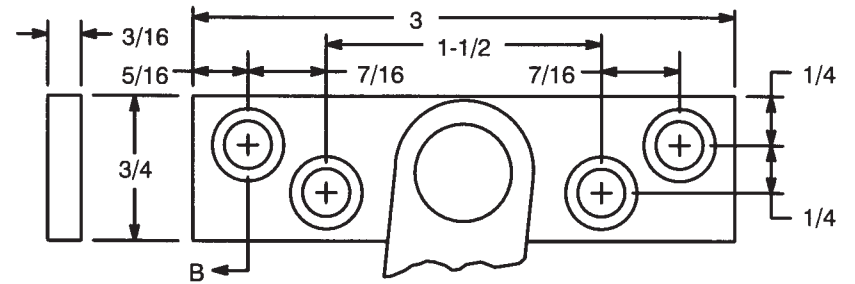


INSTALLATION INSTRUCTIONS

1. Select proper dimensions from chart on opposite side of page.

NOTE: Add 5/8" to "A" dimension for dead stop.

2. Locate "B" dimension on frame and mortise 3/16" deep for jamb bracket as shown.



3. Locate "A" and "F" dimensions on centerline of door and mortise 13/16" wide x 7/8" deep for channel. 1/16" head clearance shown. Coordinate the arm and rail cutout dimensions if head clearance varies.

4. Locate "C" and "E" dimensions on top of door and mortise 1/4" deep as shown for arm clearance.

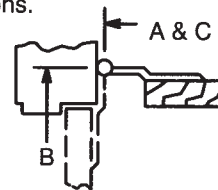
5. Install door stop or holder with screws provided.

NOTES:

- All hollow metal frames are to be provided with 3/16" min. thickness x 12" min. length reinforcement plates.
- All hollow metal doors are to be properly reinforced as shown.
- If dead stop is required add 5/8" to "A" dimension as noted on opposite side of page.
- A, B and C dimensions are measured from centerline of pivot, not edge of door.
- Reversible, non-handed.
- All dimensions are given in inches.

CAUTION:

Note location of swing clear hinge centerline to determine "A" and "B" dimensions.



Screw Details

Jamb	Door
#12-24 x 1/2" FHMS or #12 x 1-1/2" FHWS	#12-24 x 1-1/2" FHMS or #12 x 1-1/2" FHWS

**No. 2 Series
Concealed Door Stops
and Holders**

RIXSON®

ASSA ABLOY

www.rixson.com

TEMPLATE NUMBER

OH80005A

DATE

05-09

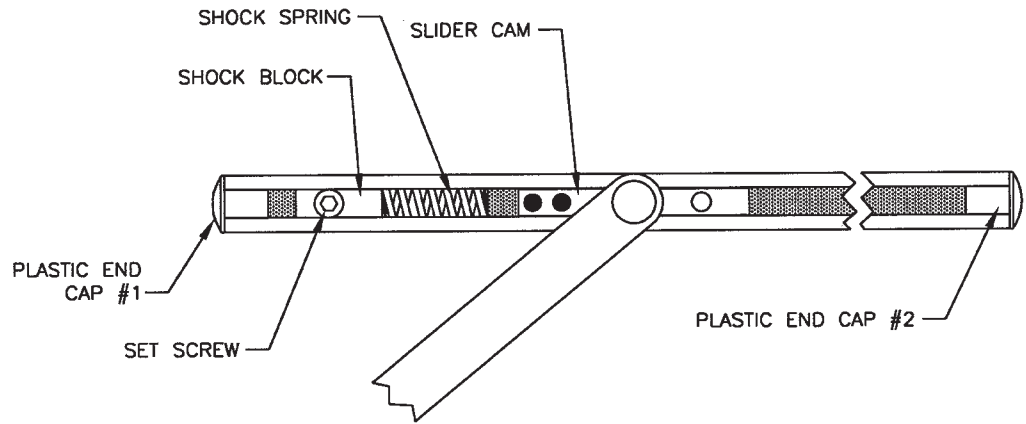
No. 2 Series Concealed Door Stops and Holders

1. See other side for installation instructions.
2. Select proper dimensions noted below.
3. Add 5/8" to "A" dimension for dead stop.
4. All dimensions given in inches.

When Using Center Hung Pivots, Check Pivot Manufacturer's Compatibility Prior to Specifying

* Butt mounting only.
Reversible, non-handed.

	Device Number				Door Opening	A	B	C	E	F
	Fric-tion	H.O.	Stop	Multi						
1 3/4 - 2 1/4 Butts & 3/4 Offset Pivot	2-116	2-126	2-136	2-146	*18-24	1 3/16	3 11/16	0	15 5/16	15 7/8
	2-216	2-226	2-236	2-246	24 1/16 - 30	4	4 3/8	2 9/16	16 9/16	17 1/16
	2-316	2-326	2-336	2-346	30 1/16 - 36	6 3/4	5 9/16	4 11/16	19	18 13/16
	2-416	2-426	2-436	2-446	36 1/16 - 42	9 7/8	7 1/4	6 3/8	23	21 1/4
	2-516	2-526	2-536	2-546	42 1/16 - 48	13 13/16	8 1/2	7 5/8	27 1/2	23 1/16
Center Hung	Device Number				Door Opening	A	B	C	E	F
	Fric-tion	H.O.	Stop	Multi						
	2-116	2-126	2-136	2-146	—	—	—	—	—	—
	2-216	2-226	2-236	2-246	27 - 32 90° Max. Opening	5 7/16	6 1/8	5 1/4	15 5/8	17 1/16
	2-316	2-326	2-336	2-346	32 1/16 - 38 1/2	7 3/16	6	5 9/32	19	18 13/16
	2-416	2-426	2-436	2-446	38 9/16 - 45	10 5/16	7 11/16	6 13/16	23	21 1/4
2-516	2-526	2-536	2-546	45 1/16 - 48	14 1/4	8 15/16	8 1/16	27 1/2	23 1/16	



TO SELECT DEGREE OF STOP

1. With a 3/16 hex key wrench, loosen the set screw in the shock block.
2. Open door to desired degree of opening.
3. Slide shock block and spring until the spring touches slider cam.
4. Tighten set screw.
5. Verify door opening position and re-adjust, as needed.

No. 2 Series Concealed Door Stops and Holders

RIXSON®

ASSA ABLOY

www.rixson.com

TEMPLATE NUMBER

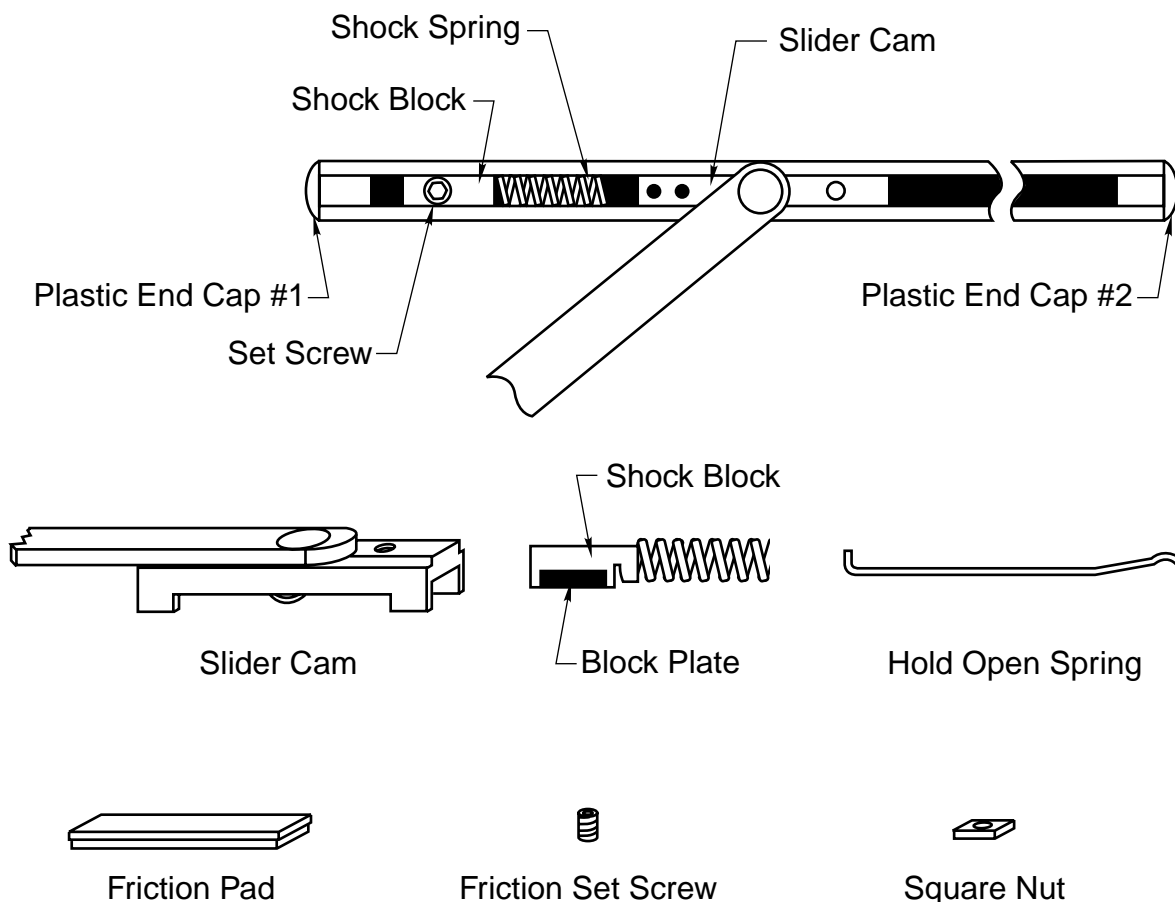
OH80005B

DATE

05-09

Standard Duty Multi-Function Installation Instructions

After installing Checkmate® on door and frame, select the function desired and proceed.
All units are shipped as stops.



TO SELECT DEGREE OF STOP

1. With a 3/16" hex key wrench, loosen the set screw in the shock block.
2. Open door to desired degree of opening.
3. Slide shock block and spring until the spring touches slider cam.
4. Tighten set screw.
5. Verify door opening position and re-adjust, as needed.

Standard Duty Multi-Function

RIXSON™

Rixson Specialty Door Controls

www.rixson.com

NUMBER

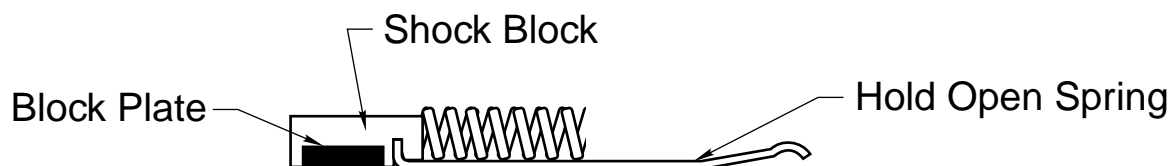
IS-5012

DATE

9-06

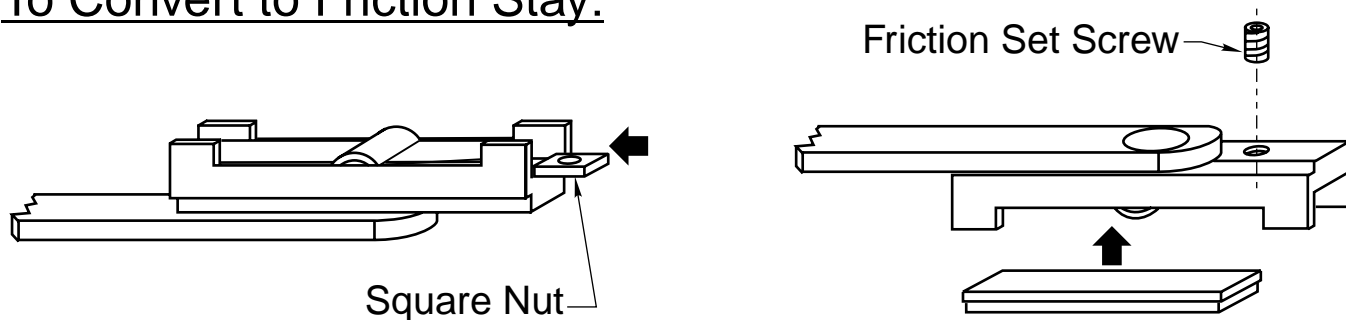
WARNING: THESE FUNCTIONS CANNOT BE USED ON LABELED OPENINGS!

To Convert to Hold Open:



1. Follow instructions for **selecting degree of stop.**
2. With pencil, mark the position of the shock block, on the channel.
3. Remove the plastic end cap at the spring end of the channel. (1)
4. With a 3/16" hex key wrench, loosen the set screw in shock block.
5. Remove shock block and block pate from channel.
6. Insert the hold open spring into the slot of the shock block.
7. Replace the shock block, block pate and hold open spring into channel.
8. Be sure the shock plate assembly is poistioned as shown.
9. Replace the plastic end cap.
10. Slide shock block until it lines up with mark you made on the channel.
11. Tighten set screw of shock block.

To Convert to Friction Stay:



1. Follow instructions for **selecting degree of stop.**
2. Remove plastic end cap, farthest away from the spring (2).
3. Slide arm and slider cam out of the channel.
4. Turn slider cam over.
5. Insert the tip of a small screw driver under the round area of the spring.
6. Twist slightly, raising the unsecured end of the spring.
7. Slide square nut completely under end of spring. (Nut will drop into cavity in slider cam.)
8. Turn slider cam and arm over, insert friction set screw into hole on top of slider cam.
9. Turn the set screw one revolution to start threading it into the square nut.
10. Place friction pad in recess in slider cam. (Metal side of friction pad closest to slider cam).
11. Insert the slider cam and friction pad in the channel. (End with 2 rivets are toward the spring)
12. Replace the plastic end cap.
13. Adjust the set screw to the desired tension.

Standard Duty Multi-Function

RIXSON™

Rixson Specialty Door Controls

www.rixson.com

NUMBER

IS-5012

DATE

9-06