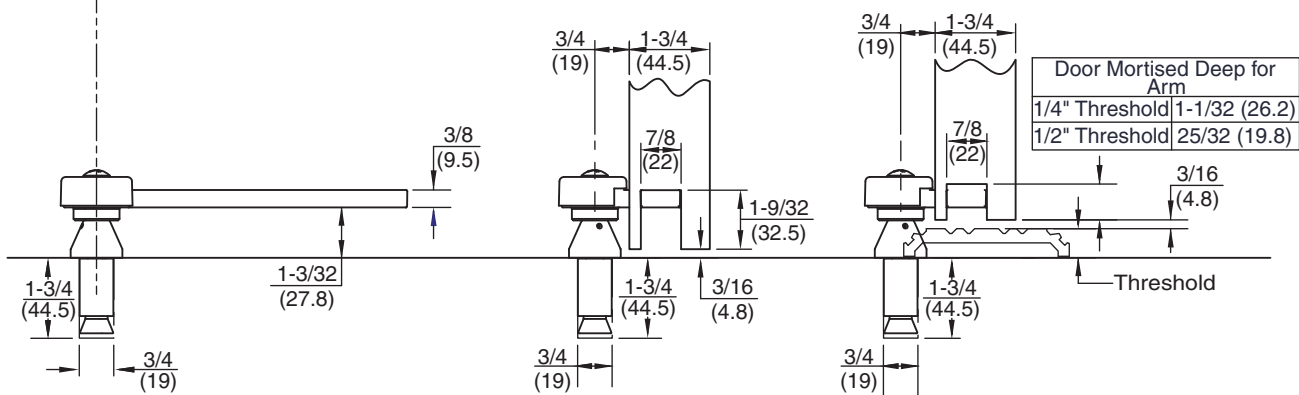
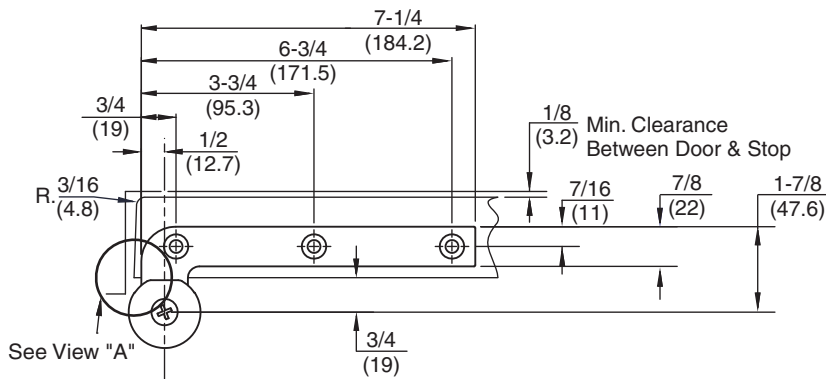
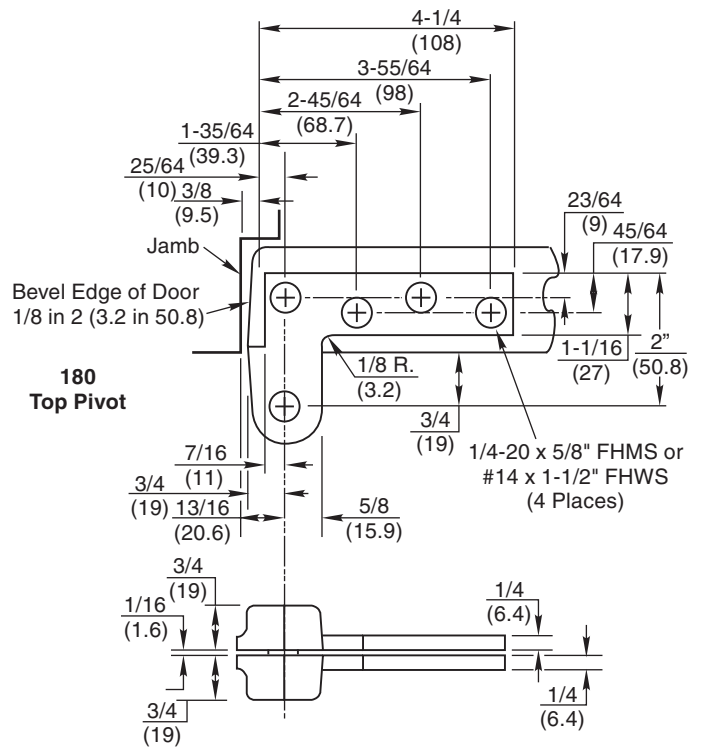
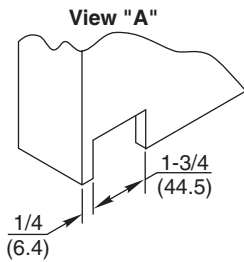


Notes:

1. Do not scale drawing.
2. Right hand shown.
3. Suitable reinforcing by others.
4. Maximum degree of opening 180°, trim permitting.
5. All dimensions are in inches (mm).



**173 Pivot Set
3/4" Offset, Handed**

RIXSON®
ASSA ABLOY

www.rixson.com

TEMPLATE NUMBER

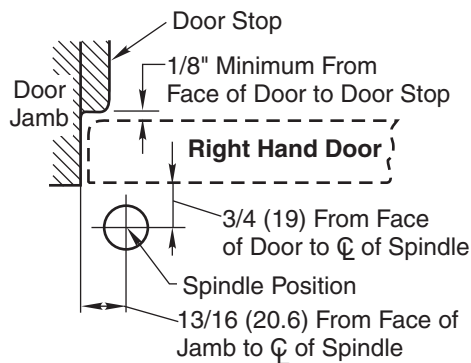
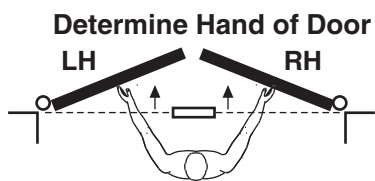
IS-173

DATE

12-09

173 Pivot Set

Do Not Scale Drawing

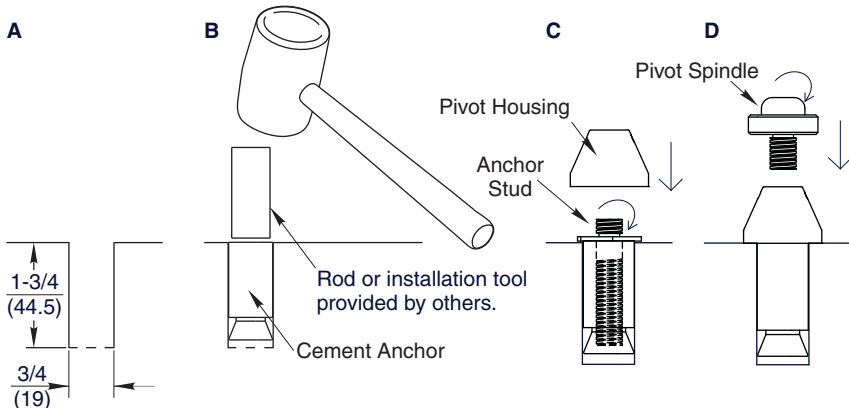


1. LOCATE PIVOT.

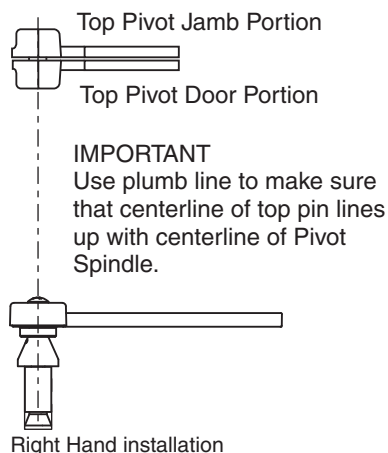
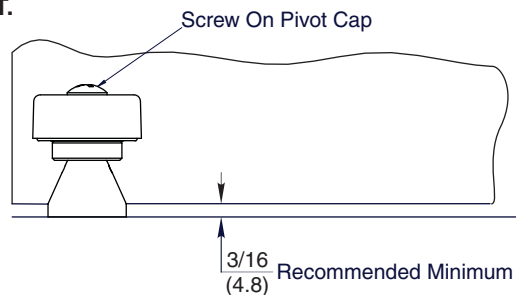
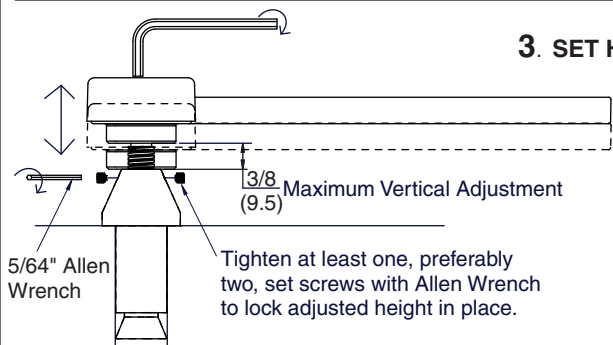
- A. Measure 13/16 (20.6) from door jamb.
- B. Allow 1/8 (3.2) minimum clearance from door stop to door face. Measure door thickness; add 3/4 (19).
- C. Where lines meet determines centerline of pivot.

2. SET BOTTOM PIVOT.

- A. Drill hole in line with top pivot.
- B. Using a mallet and tool, drive the cement anchor down until set into hole and flush with or just beneath floor.
- C. Screw the anchor stud into the cement anchor then attach the pivot housing onto the anchor stud.
- D. Screw in the spindle. Height can be adjusted after installation.

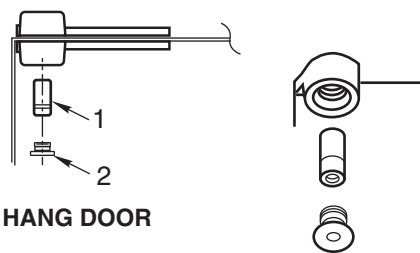


3. SET HEIGHT OF BOTTOM PIVOT.



4. INSTALL TOP PIVOT AND PIVOT ARM.

- A. Install top pivot in door per template.
- B. Install top pivot in frame per template.
- C. Install arm in door per template.
- D. Centerline of top pivot should line up with centerline of spindle.
- E. If side jamb pivot is used, see required template, T-M19.



5. HANG DOOR

- A. Set door on Floor Portion.
- B. Push top pivot pin (1) up into place and replace cap (2).
- C. Put arm cap on arm and secure tightly with screw furnished.

173 Pivot Set
3/4" Offset, Handed

RIXSON®
ASSA ABLOY

www.rixson.com

TEMPLATE NUMBER

IS-173

DATE

12-09