

## Model 345

### Application

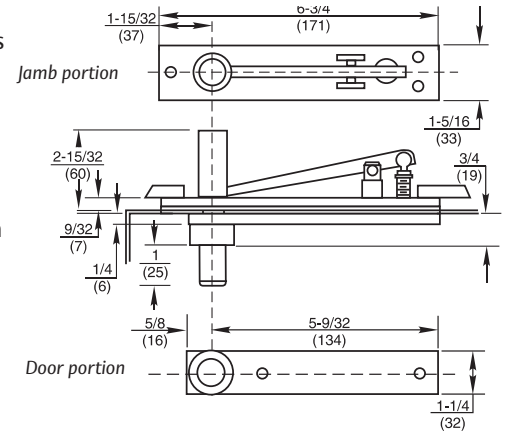
- Fully Concealed
- Center Hung
- Non-handed
- Earthquake Tolerant
- Taller Doors



### Product Description & Features

- Optional top pivot
- Ideal for locations where there is a fear of dramatic building settling or for doors over 8'6" in height
- Long pivot pin engages in top of door 1-3/4" (44mm)
- Can be used with any center hung bottom pivot or floor closer. Order pivot set or floor closer LTP (*less top pivot*) with 345 on separate line item
- Walking beam-type pivot – 1/2" (13mm) diameter pivot pin
- Oil-impregnated sintered bronze bushing
- Completely concealed when door is closed
- Furnished with wood and machine screws

### Technical Information



## Model H345

### Application

- Fully Concealed
- Center Hung
- Non-handed
- Earthquake Tolerant
- Taller Doors



### Product Description & Features

- Ideal for locations where there is a fear of dramatic building settling or for doors over 8'6" in height
- Long pivot pin engages in top of door 1-3/4" (44mm)
- Can be used with any center hung bottom pivot or floor closer. Order pivot set or floor closer LTP (*less top pivot*) with H345 on separate line item
- Walking beam-type pivot – 11/16" (17mm) diameter pivot pin
- Heavy-duty needle bearing
- Completely concealed when door is closed
- Furnished with wood and machine screws

### Technical Information

