

Model L180

Application

Lead-Lined/Heavy/High Traffic
Doors
Full Mortise
Non-handed

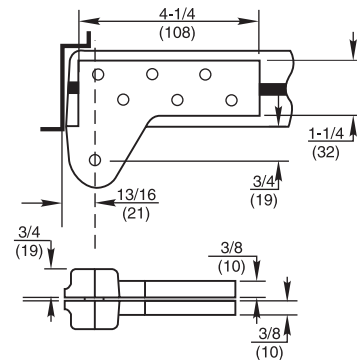


Product Description & Features

- Standard top pivot for L147, L117 pivots and L27 floor closers
- Doors with lead lining under the skin should also use this product
- Screw holes spaced to straddle lead in the middle of the door
- Available to accommodate lead lined door thicknesses: 1-3/4" (44mm), 2" (51mm), 2-1/4" (57mm), 2-1/2" (64mm), or 3" (76mm) –specify when ordering
- Available for fire door assemblies for 1-3/4" (19mm) doors only (*ferrous material*). Specify FL180
- For 20-minute label suffix “-20” to the part number
- Non-ferrous base material
- 3/4" (19mm) offset (*measured from centerline of pivot to face of door*)
- Furnished with wood and machine screws
- Available with longer than standard pivot pins. Increments are 1/4" (6mm), 1/2" (13mm), 3/4" (19mm) only

Technical Information

Frame stop required



1-3/4" door shown

Model FA180

Application

Asylum Design
Full Mortise
Handed



Product Description & Features

- Standard top pivot for SEC27-180 floor closer packages
- Optional top pivot for institutional use or installations where flat surfaces are objectionable
- For fire door assemblies
- Ferrous base material
- 3/4" (19mm) offset (*measured from centerline of pivot to face of door*)
- Furnished with wood and machine Torx® screws
- Available with longer than standard pivot pins. Increments are 1/4" (6mm), 1/2" (13mm), 3/4" (19mm) only

Technical Information

Frame stop required

