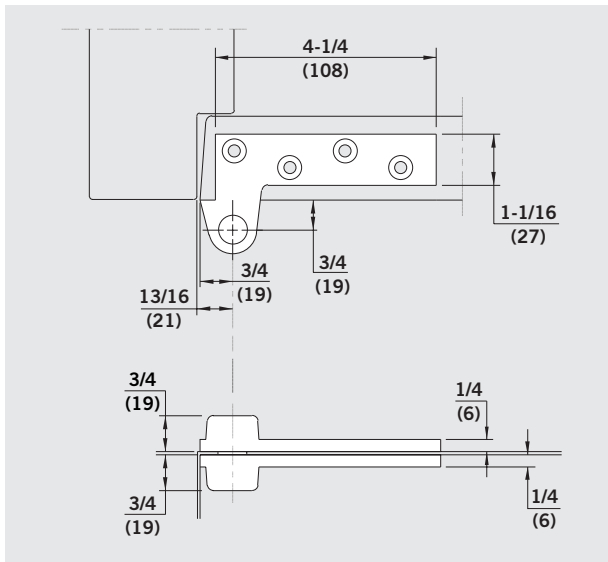


3/4" Offset Full Mortise

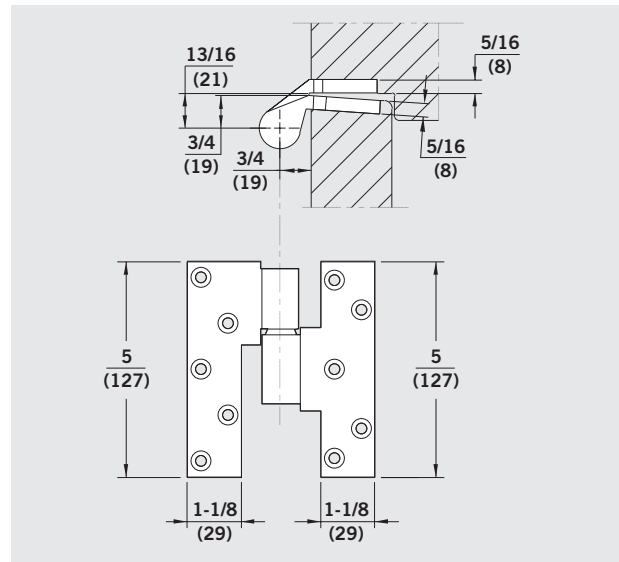


No. 75120 — 3/4" offset standard brass top pivot.

No. 75122 — 3/4" offset brass top pivot. U.L. listed for 20 minute rated fire doors.

No. 75133 — 3/4" offset steel top pivot. For use on fire doors rated up to three hours.

Note: Standard pivots are non-handed and designed for flush door and frame conditions. For 1/8" inset pivots, add 5/8 suffix and hand, i.e. 75120 5/8 RH.

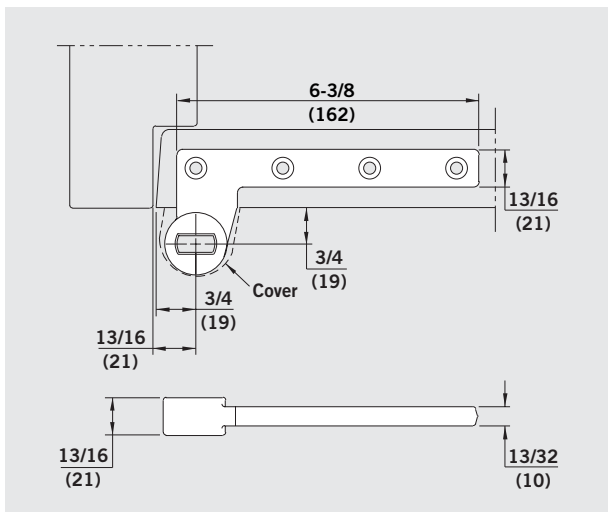


No. 75220 — 3/4" offset standard brass intermediate pivot.

No. 75222 — 3/4" offset brass intermediate pivot. U.L. listed for 20 minute rated fire doors.

No. 75233 — 3/4" offset steel intermediate pivot. For use on fire doors rated up to three hours.

(Specify Hand)



No. 75323 — 3/4" offset standard steel bottom arm.

Can also be used on fire doors rated up to three hours.

For use with 7471K and 7471HD floor bearing.

(Specify Hand)