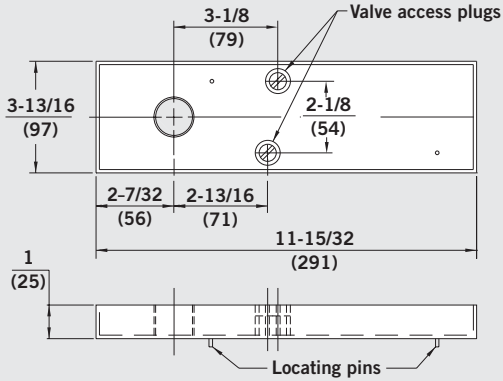


**Terrazzo Pan**

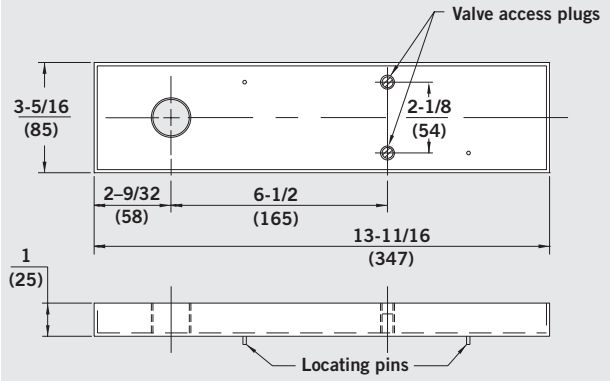
**BTS 75V Series**

- **TP 75V CH** for center hung applications (shown).
- **TP 75V RH** or **LH** for 3/4" offset applications (specify hand).



**BTS 80/BTS 80 EMB Series**

- **TP 80 CH** for center hung applications (shown).
- **TP 80 RH** or **LH** for 3/4" offset applications (specify hand).



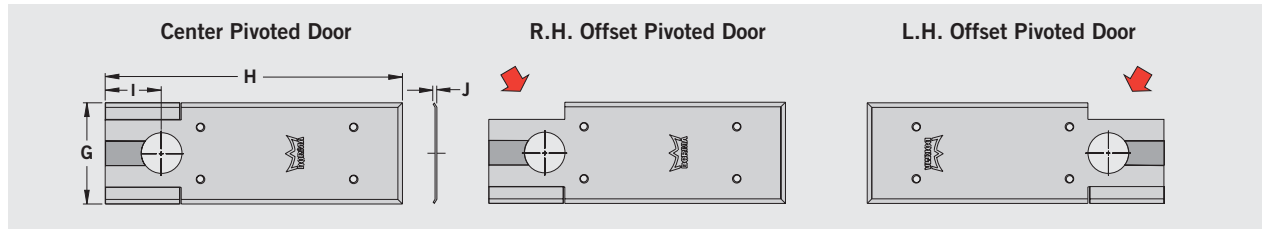
Made from stainless steel and used in lieu of standard floor plate. Offers uninterrupted appearance with terrazzo or marble. Shims are included to allow easy removal of pan after initial installation.

**Note:** When calculating the spindle size to be used with a terrazzo pan application, add 1" to the desired clearance between the door and the finished floor.

**Cover Plate**

The BTS 75V universal cover plate **7510**, suitable for left hand/right hand, 3/4" offset, 1-1/2" offset, and center pivoted doors.

	G	H	I	J
Inches	4-1/8	12-1/8	2-9/32	3/32
Millimeters	105	308	58	2



The BTS 80 and BTS 80 EMB universal cover plate **7410**, suitable for left hand/right hand, 3/4" offset, 1-1/2" offset, and center pivoted doors.

	G	H	I	J
Inches	4-1/8	14-3/32	2-9/32	3/32
Millimeters	105	358	58	2

