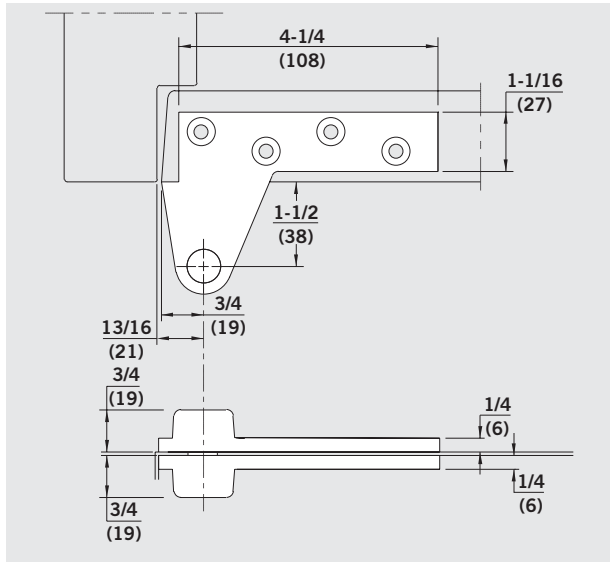


1-1/2" Offset Full Mortise

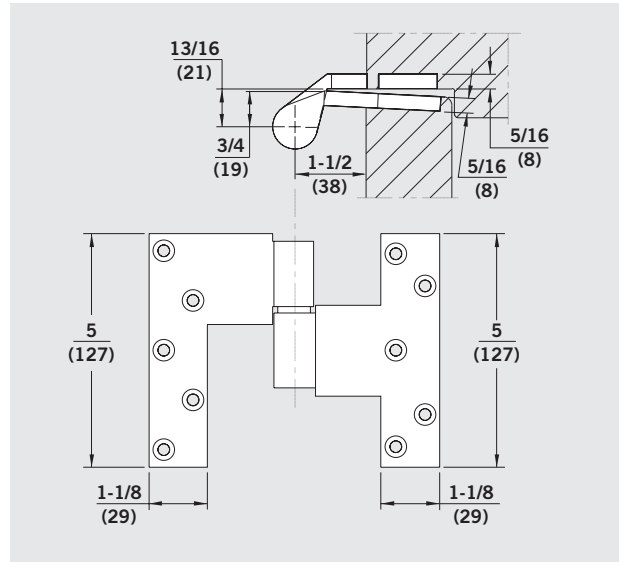


No. 15120 — 1-1/2" offset standard brass top pivot.

No. 15122 — 1-1/2" offset brass top pivot. U.L. listed for 20 minute rated fire doors.

No. 15133 — 1-1/2" offset steel top pivot. For use on fire doors rated up to three hours.

NOTE: For 1/8" inset pivots, add 5/8 suffix, i.e. 15122 5/8.

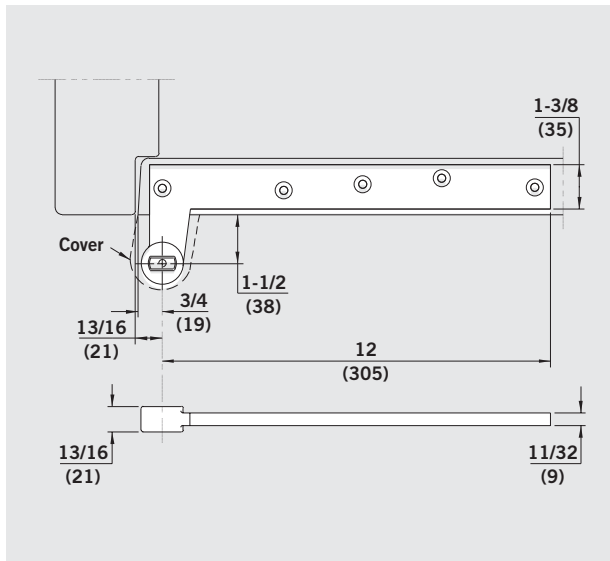


No. 15220 — 1-1/2" offset standard brass intermediate pivot.

No. 15222 — 1-1/2" offset brass intermediate pivot. U.L. listed for 20 minute rated fire doors.

No. 15233 — 1-1/2" offset steel intermediate pivot. For use on fire doors rated up to three hours.

(Specify Hand)



No. 15323 — 1-1/2" offset standard steel bottom arm. Can also be used on fire doors rated up to 3 hours. For use with 7471K and 7471HD floor bearing.

(Specify Hand)